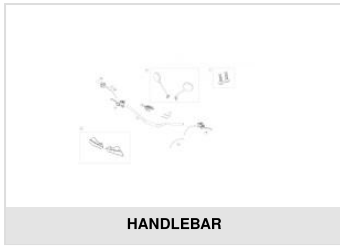


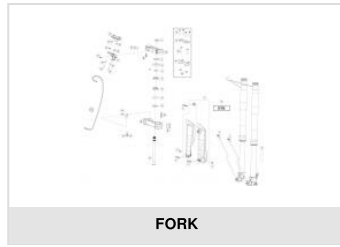


MR 250 PRO RED 2024

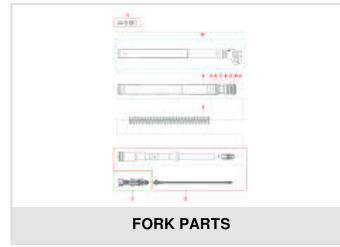
Exploded



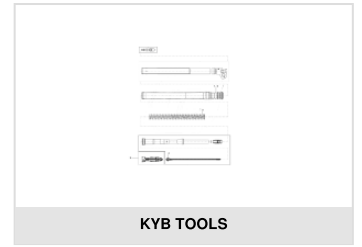
HANDLEBAR



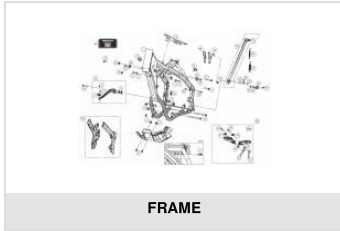
FORK



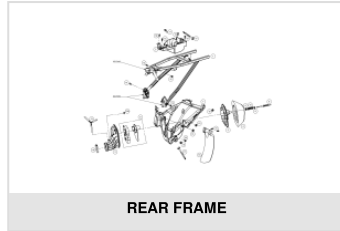
FORK PARTS



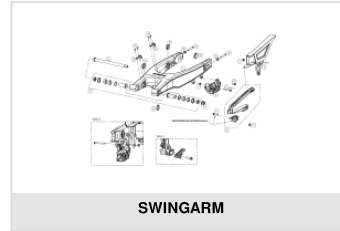
KYB TOOLS



FRAME



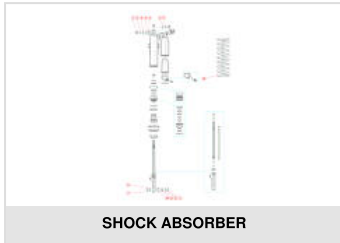
REAR FRAME



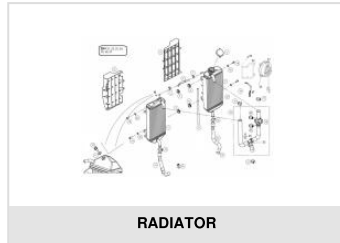
SWINGARM



SHOCK ABSORBER



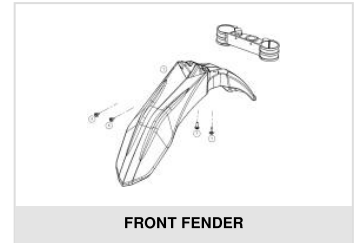
SHOCK ABSORBER



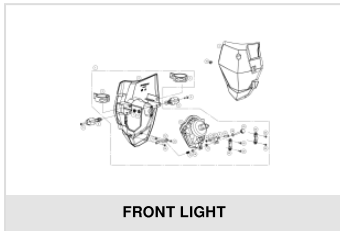
RADIATOR



ELECTRICAL PARTS



FRONT FENDER



FRONT LIGHT



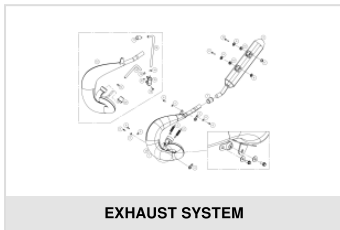
TANK



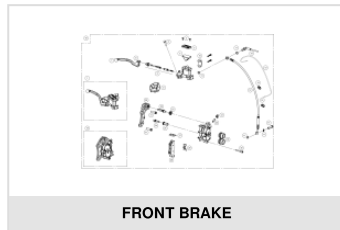
REAR FAIRING



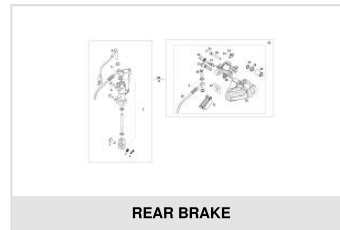
STICKERS



EXHAUST SYSTEM



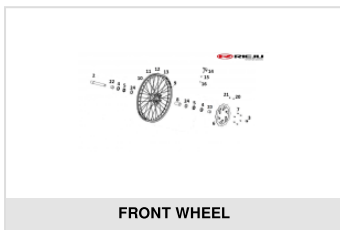
FRONT BRAKE



REAR BRAKE



CLUTCH CONTROL



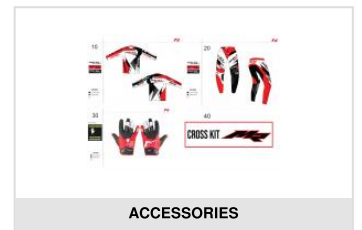
FRONT WHEEL



REAR WHEEL



FAIRING

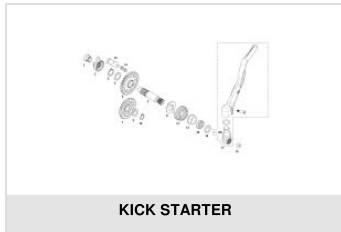


ACCESSORIES

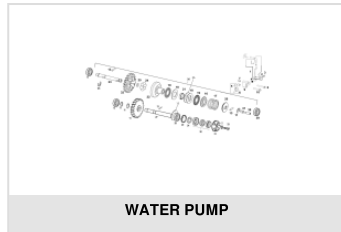


TRANSPARENT STICKER

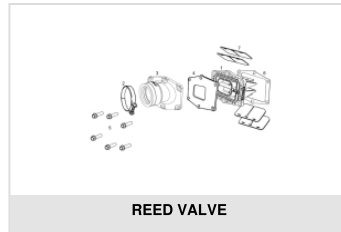
ENGINE MR 2022 V2



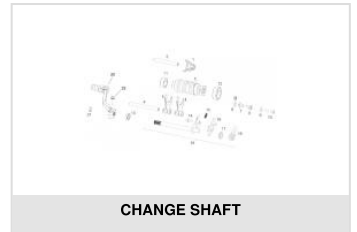
KICK STARTER



WATER PUMP



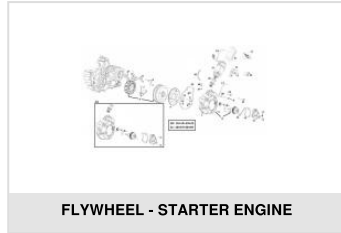
REED VALVE



CHANGE SHAFT



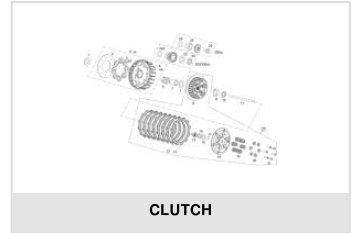
CARTER



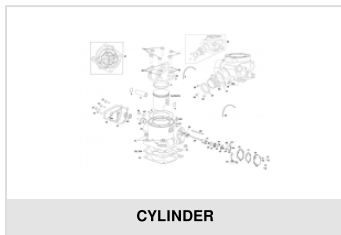
FLYWHEEL - STARTER ENGINE



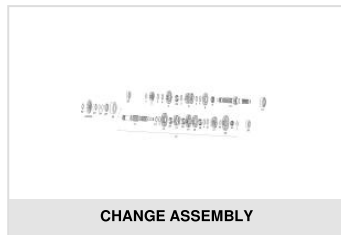
CRANKSHAFT



CLUTCH



CYLINDER



CHANGE ASSEMBLY

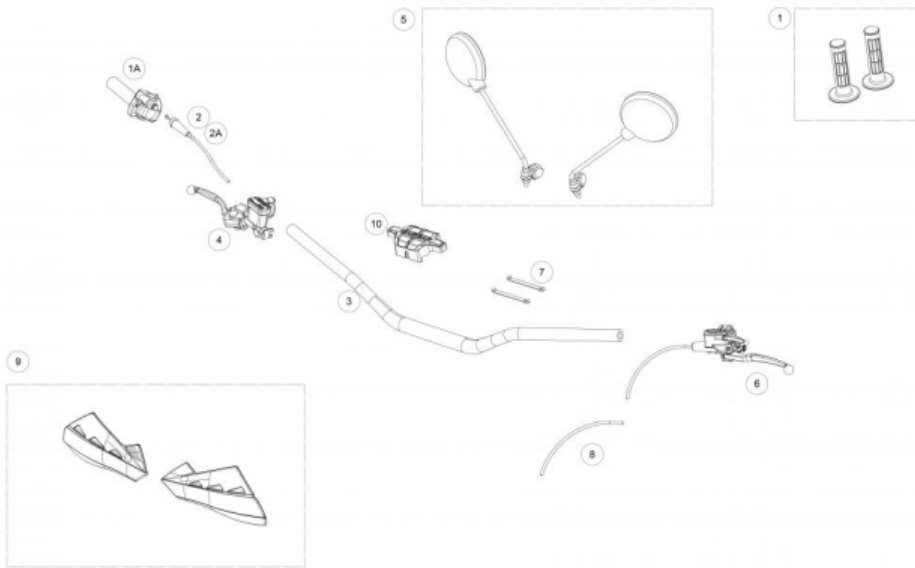


CARBURETOR



ENGINE TOOLS

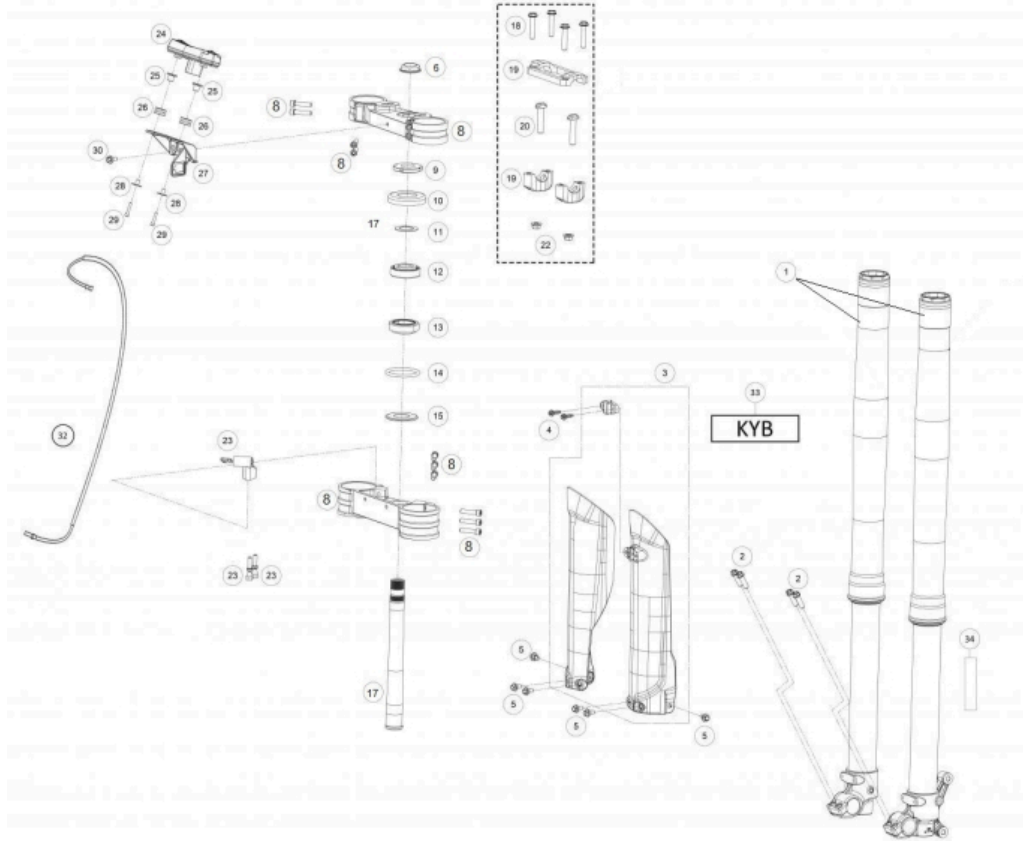
HANDLEBAR



1	GRIPS SET RENTHAL (G087A) DARK GREY 0/000.530.9103 (u. 1)
1A	THROTTLE GRIP TT (3291.03.00-1) 0/000.530.9100 (u. 1)
2	THROTTLE CABLE ENDURO 2018 0/000.550.9101 (u. 1)
2A	THROTTLE CABLE ENDURO 2018 HOMOLOGATION 0/000.550.9102 (u. 1)
3	HANDLEBAR RENTHAL RACING 2010 0/000.170.9102 (u. 1)
4	FRONT BRAKE PUMP NISSIN=BC25922008/2 0/000.820.9106 (u. 1)
5	SET REARVIEW MIRROR (REG 81) 0/000.990.9100 (u. 1)
6	SET MAGURA CLUTCH PUMP, 9.5 (167) 0/000.830.9101 (u. 1)
7	LONG CLAMP FIX.INST.2237 0/000.680.0060 (u. 2) RUBBER CABLE HOLDER 0/000.360.9110 (u. 2)
8	STARTER CABLE ENDURO 2018 0/000.550.9100 (u. 1)
9	ENDURO BLACK HANDGUARD SET (QWEST) WITHOUT LOGO 0/000.770.9109 (u. 1)

Obsolete

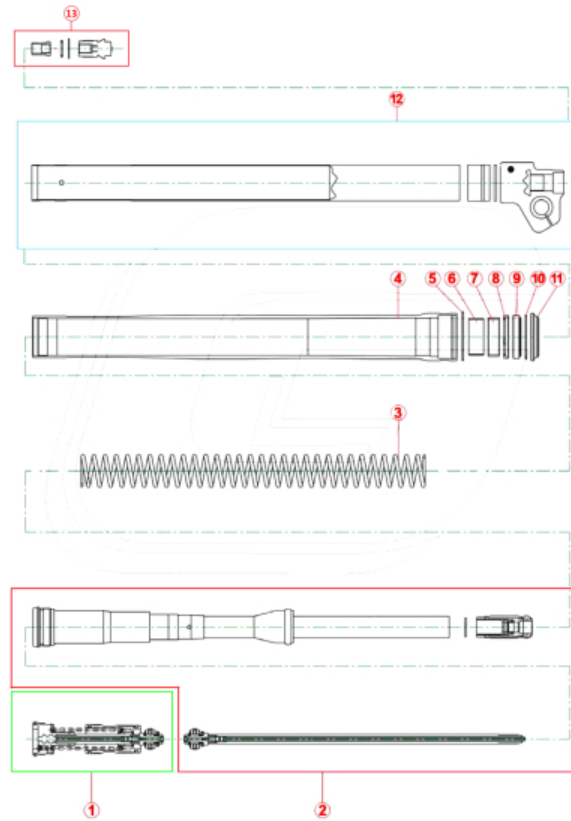
FORK



	RIGHT SUSPENSION FORK PRO FACTORY V.3 0/000.130.9110 (u. 1)	
1	LEFT SUSPENSION FORK PRO FACTORY V.2 0/000.130.9109 (u. 1)	
	HORQUILLA SUSPENSION DCHA PRO FACTORY V.2 0/000.130.9108 (u. 1)	Obsolete
2	HEX. BOLT DIN 6921 TX40 M8x25 GRADE 10.9 GEOMET 0/000.460.9194 (u. 4)	
	SCREW SPECIAL 8X25 GEOMET 10.9 0/000.460.9137 (u. 4)	Obsolete
3	SET PROT.UPSIDE-DOWN FORK MR BLACK 0/000.220.9118 (u. 1)	
4	PLASTIC THREAD SCREW HEX.6 WITH WASHER 6x20 0/000.460.9178 (u. 2)	
5	HEXAGONAL FLANGE SCREW DIN 6921 M6X8 WITH CENTERING 0/000.460.9162 (u. 6)	Obsolete
6	UPPER STEERING NUT 0/000.340.9102 (u. 1)	
8	SET BLACK SUSPENSION CLAMPS MR PRO 0/000.660.9108 (u. 1)	
9	LOWER STEERING NUT 0/000.340.9101 (u. 1)	
10	STEERING BEARING DUST COVER BLACK 0/000.200.9100 (u. 1)	
11	LOWER STEERING WASHER 0/000.440.9101 (u. 1)	
12	STEERING BEARING 30205A 0/000.960.9101 (u. 1)	
13	STEERING BEARING LOWER 320/28 0/000.960.9100 (u. 1)	

14	STEERING O-RING 50X5 0/000.490.9102 (u. 1)	
15	STEERING CUP D.28 0/000.200.9101 (u. 1)	
17	STEERING AXLE MR 300 0/000.190.9100 (u. 1)	
18	HEXAGONAL SCREW DIN 6921 M8x40 THREAD 31 GRADE 10.9 GEOMET 0/000.460.9140 (u. 4)	
19	KIT UPPER HANDLEBAR BRIDGE BLACK MR 0/K00.350.9102 (u. 1)	
20	10X45 SPECIAL BOLT G5 12.9 0/000.460.9113 (u. 2)	
22	NUT AUTOB.M10 PASO 1.50 WASHER DIN 6926 ZINC 8 0/000.340.9124 (u. 2)	Obsolete
	NUT DIN 6926 M10 GRADE 8 Z/WHITE 0/000.340.0182 (u. 2)	
23	ENDURO 2018 STEERING LOCK KIT BE15025CT-CLJ-1 (u. 1)	
24	SET MULTIFUNCTION "EVEREST" EC 2018 0/001.000.9100 (u. 1)	
25	SCHNORR WASHER M4 STAINLESS STEEL 0/000.440.0043 (u. 2)	
	WIDE FLANGE WASHER DIN 522 M4 STAINLESS STEEL 0/000.440.0044 (u. 2)	
26	SILENTBLOCK GROMMET FOR ODOMETER 0/000.360.4002 (u. 2)	
27	MULTIFUNCTION BRACKET EC 2018 0/000.980.9108 (u. 1)	Obsolete
28	MARKER BUSHING MR 0/000.480.9130 (u. 2)	
29	SCREW ISO 7380 TORX T-20 M4x20 STAINLESS STEEL 0/000.460.0079 (u. 2)	
30	TORN.ESP. DIN 6921 Hex.8 TX30 C/Centrador 3,70 M6x7 Cal.10.9 GEOMET 0/000.460.9200 (u. 1)	
	HEX. HEAD SCREW DIN 6921 M6x7 WITH CENTERING 0/000.460.9161 (u. 1)	
32	ENDURO KMS ACCOUNT SENSOR 0/001.010.9100 (u. 1)	
33	BLACK SUSPENSION STICKER KIT KYB 200 x 87 mm (x2) 0/K00.390.9149 (u. 1)	
	KIT ADHESIVE SUSPENSION RED KYB 200 x 87 mm (x2) 0/K00.390.9142 (u. 1)	
34	REFLECTIVE STICKER 0/000.630.9102 (u. 2)	

FORK PARTS

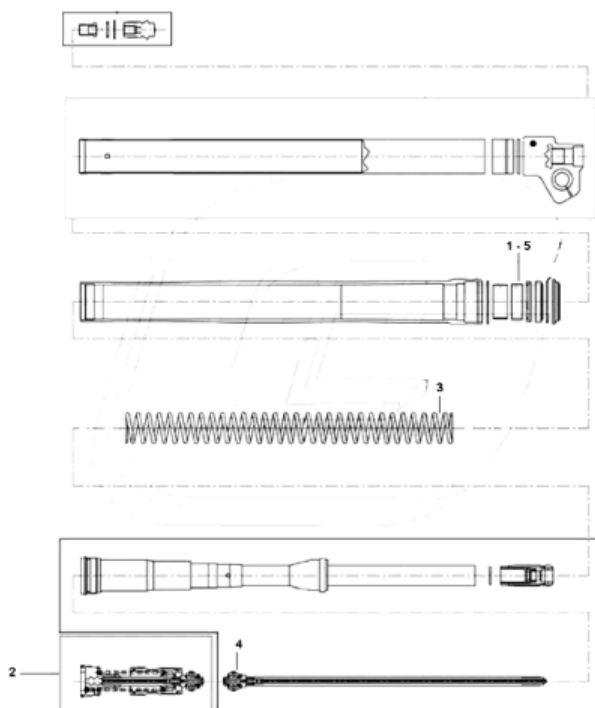


1	SET CAP CARTRIDGE SUSPENSION KAYABA ENDURO BE20240CT-CLJ-1 (u. 1)
2	HYDRAULIC SUSPENSION SET KAYABA ENDURO BE20220GG-CLJ-1 (u. 1)
3A	SPRING SUSPENSION 4.0 KAYABA ENDURO BE20170CT-CLJ-1 (u. 2)
3B	SPRING SUSPENSION 4.2 KAYABA ENDURO BE20171CT-CLJ-1 (u. 2)
3C	SPRING SUSPENSION 4.4 KAYABA ENDURO BE20172CT-CLJ-1 (u. 2)
4	SET. SUSPENSION BOTTLE KAYABA ENDURO BE20100CT-CLJ-1 (u. 1)
5	RETAINING RING SUSPENSION KAYABA ENDURO BE20145GG-CLJ-1 (u. 1)
6	GLACIER FORK LEG SUSPENSION KAYABA ENDURO BE20150GG-CLJ-1 (u. 1)
7	GLACIER SUSPENSION BAR KAYABA ENDURO BE20151GG-CLJ-1 (u. 1)
8	WASHER SUSPENSION KYB ENDURO BE20186GG-CLJ-1 (u. 1)
9	SET SUSPENSION SEALS KAYABA ENDURO BE20140CT-CLJ-1 (u. 1)
10	SET CIRCLIP SUSPENSION KAYABA ENDURO BE20135GG-CLJ-1 (u. 1)
11	SET DUST BOOT SUSPENSION KAYABA ENDURO BE20130CT-CLJ-1 (u. 1)
12A	SET RIGHT SUSPENSION BAR KAYABA ENDURO GP 2018 BE20110CT-CRB-1 (u. 1)
12B	SET LEFT SUSPENSION BAR KAYABA ENDURO GP 2018 BE20115CT-CRB-1 (u. 1)

13

CAP EXTENSION ADJUSTMENT SUSPENSION KAYABA ENDURO
BE20120GG-CLJ-1 (u. 1)

KYB TOOLS



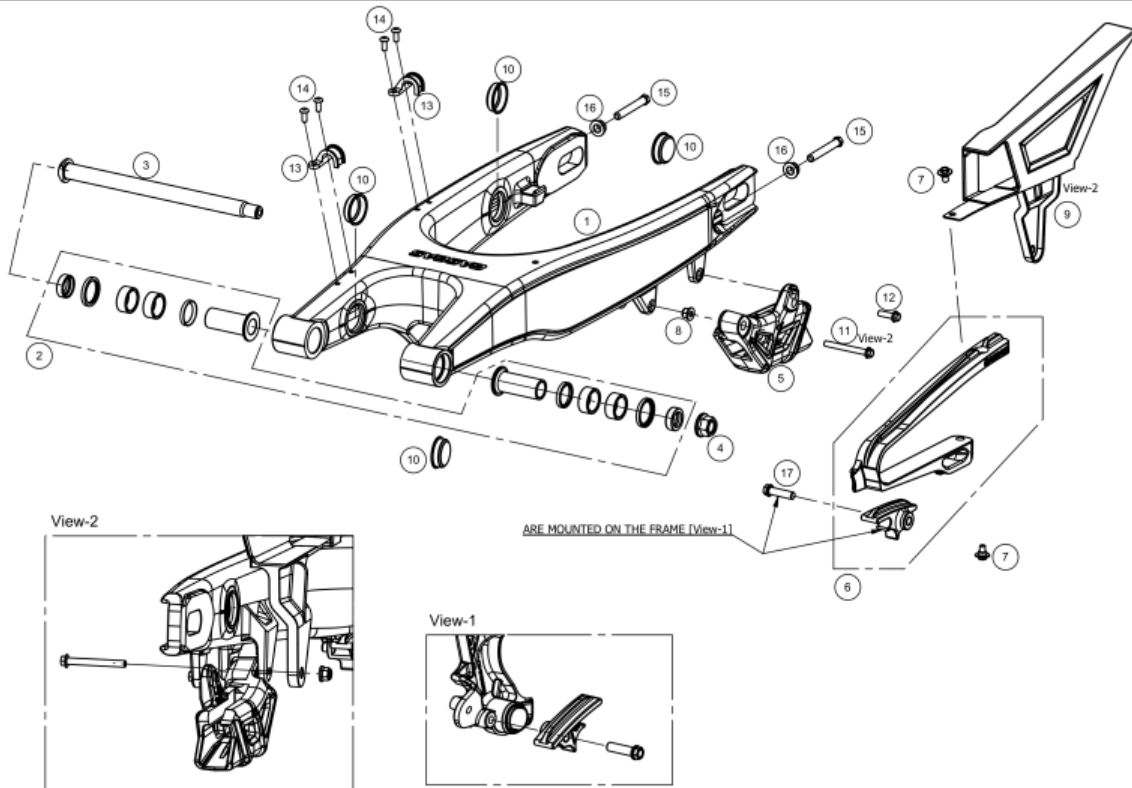
1	TOOL SEAL SUSPENSION KAYABA ENDURO BE20225GG-CLJ-1 (u. 1)
2	KEY CAP SUSPENSION KAYABA ENDURO BE21105GG-CLJ-1 (u. 1)
3	PISTON SUPPORT TOOL ADJUSTMENT SUSPENSION KAYABA ENDURO BE20230GG-CLJ-1 (u. 1)
4	TOOL CAP CARTRIDGE SUSPENSION KAYABA ENDURO BE21106GG-CLJ-1 (u. 1)
5	TOOL INSERT SEAL SUSPENSION KAYABA ENDURO BE20235GG-CLJ-1 (u. 1)

	FLAT WASHER DIN 125/A M8 Z/WHITE 0/000.440.0160 (u. 4)	
19	SPECIAL SCREW DIN 6921 HEX.10 M8x20 GRADE 10.9 GEOMET 0/000.460.9136 (u. 4)	
	NUT DIN 6927 M8 GRADE 8 Z/WHITE 0/000.340.0188 (u. 4)	
20	ENDURO 2018 CRANKCASE PROTECTOR WITH HARDWARE 0/R00.220.9100 (u. 1)	
21	HEX BOLT DIN 6921 M6X12 WITH CENTERING FLANGE 0/000.460.9101 (u. 2)	Obsolete
22	SIDE CHASSIS PROTECTORS KIT MR BLACK 0/K00.220.9103 (u. 1)	
23	SPECIAL BOLT DIN 6921 HEX.8 M6X35 CAL.10.9 GEOMET 0/000.460.9124 (u. 1)	
24	SILENTBLOCK+WASHER FUEL TANK 0/000.360.9106 (u. 2)	
25	SCREW DIN 6921 HEX.8 TX30 M6x14 CAL.10.9 GEOMET 0/000.460.9215 (u. 2)	
	HEX BOLT WASHER 6x14 (Fork Brace) DIN 6921 0/000.460.9118 (u. 2)	Obsolete
26	SET FOOTREST ENDURO PREMIUM 0/000.740.9103 (u. 1)	
27	FOOTREST SPRING S3 RH MR (569-494/495) 0/000.470.9111 (u. 1)	
28	FOOTREST SPRING S3 LH 0/000.470.9112 (u. 1)	
29	FOOTPEG PIN S3 MR 0/000.840.9104 (u. 2)	
29a	SPRING KIT + FOOTPEG PINS S3 MR 0/K00.470.9100 (u. 1)	
30	WASHER 10,5 X 20 X 2 ZINC PLATED DIN 125 0/000.440.9133 (u. 2)	
31	PIN DIN 94 0/000.840.9100 (u. 2)	
32	SET STAND MR RACING COMPLETE 0/K00.210.9100 (u. 1)	
33	BASE STAND ENDURO 2018 0/000.570.9100 (u. 1)	
34	O-RING BUSHING STAND 15x1.5 0/000.490.9100 (u. 1)	
35	O-RING BUSHING STAND 17x1.5 0/000.490.9101 (u. 1)	
36	BUSH FIXING STAND ENDURO 2018 0/000.480.9102 (u. 1)	
	COMPETITION STAND BUSHING 0/000.480.9129 (u. 1) - <i>NO HOMOLOG</i>	
37	HEX. BOLT DIN 6921 TX40 M8x25 GRADE 10.9 GEOMET 0/000.460.9194 (u. 1)	
	SCREW SPECIAL 8X25 GEOMET 10.9 0/000.460.9137 (u. 1)	Obsolete
	SCREW ISO 7380 Torx T-40 M8x25 STAINLESS STEEL 0/000.460.0081 (u. 1) - <i>NO HOMOLOG</i>	
38	ENDURO STAND 2018 0/000.830.9100 (u. 1)	

39	ALLEN BOLT ULS 5x16 ISO 7380-1 ZINC 12.9 0/000.460.9155 (u. 1)	Obsolete
	SCREW ISO 7380 Torx T-25 with washer M5x16 STAINLESS STEEL 0/000.460.0083 (u. 1)	
40	BUSH CARRY STAND ENDURO 0/000.480.9103 (u. 1)	
41	EXTERIOR SPRING KICKSTAND ENDURO 2018 0/000.470.9103 (u. 1)	
42	INNER SPRING KICKSTAND ENDURO 2018 0/000.470.9104 (u. 1)	
43	NYLOCK NUT M-6 DIN 985 ZN CR3 6 0/000.340.9113 (u. 1)	
44	CALCA RECOMENDACIÓN ACEITE 0/000.390.0000 (u. 1)	Obsolete
47	LH CYLINDER HEAD TIE ROD MR 2022 0/000.980.9126 (u. 1)	
48	CYLINDER HEAD TIE ROD RH MR 2022 0/000.980.9125 (u. 1)	

14	SPECIAL SCREW DIN 6921 HEX.10 M8X16 CAL.10.9 GEOMET 0/000.460.9135 (u. 2)	
15	SILENTBLOCK NUMBER PLATE LEFT ENDURO 2018 0/000.360.9109 (u. 4)	
16	CLAMP 50-70/9 AIR FILTER/CARB INOX FE 0/000.680.9101 (u. 1)	
17	RUBBER STAND EC 2015 0/000.360.9100 (u. 2)	
18	PROT.SHOCK ABSORBER EC 2018 0/000.220.9117 (u. 1)	
19	PLASTIC THREAD SCREW HEX.6 WITH WASHER 6x20 0/000.460.9178 (u. 6)	
20	BOLT ESP. 6X16 DRACOMET 0/000.460.9100 (u. 1)	Obsolete
21	CRANKCASE VENT NIPPLE D.3 0/000.630.9105 (u. 1)	

SWINGARM



1	SWINGARM MR 2025 PAINTED 0/P00.020.9100 (u. 1)	
2	SWINGARM REPAIR KIT BE41000CT-CLJ-1 (u. 1)	
3	AXLE SWINGARM ENDURO 2018 0/000.190.9101 (u. 1)	
4	SWINGARM NUT TT 49650 0/000.340.9103 (u. 1)	
5	CHAIN GUIDE MR 0/000.710.9100 (u. 1)	
6	CHAIN SLIDER KIT 3 SET. BE43015CT-CLJ-1 (u. 1)	Obsolete
	CHAIN SLIDER ASSEMBLY MR 300i 0/K00.360.9118 (u. 1)	
7	TORN.ESP. DIN 6921 Hex.8 TX30 C/Centrador 3,70 M6x7 Cal.10.9 GEOMET 0/000.460.9200 (u. 2)	
	HEX. HEAD SCREW DIN 6921 M6x7 WITH CENTERING 0/000.460.9161 (u. 2)	
8	NUT DIN 6926 M6 GRADE 8 Z/WHITE 0/000.340.0170 (u. 1)	
	TUERCA AUTOBLOC. M-6 C/ARAND DIN-6926 ZINC 0/000.340.9117 (u. 1)	Obsolete
9	CHAIN GUARD HOMOL.EC 2018 0/000.220.9107 (u. 1)	
10	CAP SWINGARM EC 2018 (465658) 0/000.410.9100 (u. 4)	
11	SPECIAL SCREW DIN 6921 HEX.8 M6x55 CAL.10.9 GEOMET 0/000.460.9127 (u. 1)	Obsolete
12	HEXAGONAL FLANGE SCREW DIN 6921 TX30 M6x20 GRADE 10.9 GEOMET 0/000.460.9181 (u. 1)	
	BOLT 6x20 DIN 6921 GEOMET 10.9 0/000.460.9120 (u. 1)	Obsolete

13	SWINGARM HOSE HOLDER 0/000.630.9101 (u. 2)
14	BOLT + WASHER 5x15 DIN 6921 GEOMET 10.9 0/000.460.9115 (u. 4)
15	FSR450-2007 WHEEL TENSIONER SCREW 0/000.460.9105 (u. 2)
16	M8 SERRATED FLANGE NUT DIN 6923 STEEL 8 0/000.340.9118 (u. 2)
17	HEXAGONAL FLANGE BOLT DIN 6921 M8x35 GRADE 10.9 GEOMET 0/000.460.9139 (u. 1)

SHOCK ABSORBER



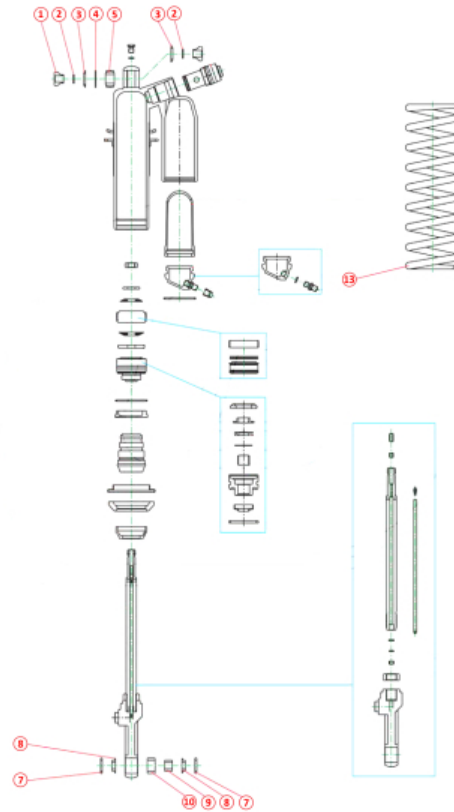
1	SET LINKAGE ENDURO 2018 BE34000CT-CLJ-1 (u. 1)	Obsolete
	MR 300 LINKAGE 0/K00.980.9102 (u. 1)	
2	SCREW AXLE LINK CHASSIS (CM12X1.25X116.2, 12.9) 0/000.460.9102 (u. 1)	
3	NUT M12x1.25 DIN 6927 ZINC 0/000.340.9115 (u. 3)	
4	CONNECTING ROD REPAIR KIT ENDURO 2018 BE32035CT-CLJ-1 (u. 1)	
5	SCREW AXLE LINK ROCKER 12X95.5 12.9 ISO 898-1 0/000.460.9103 (u. 1)	
6	SET ROCKER ENDURO 2018 BE32000CT-CLJ-1 (u. 1)	Obsolete
	MR ROCKER SET 0/K00.980.9101 (u. 1)	
7	BOLT AXLE SWINGARM 22X92.5 0/000.460.9104 (u. 1)	
8	SHOCK ABSORBER EC 2018 KYB 0/000.180.9100 (u. 1)	
9	BOLT 10x60 ISO 898-1 GEOMET 10.9 0/000.460.9131 (u. 1)	
	PERNO 10X55 10.9 GEOMET ISO 898-1 T0210055 (u. 1)	Obsolete
10	SCREW LOWER AXLE SHOCK ABSORBER 20X48.5 0/000.460.9107 (u. 1)	
11	SELF-LOCKING NUT M10X125 DIN 985 ZINC 8 0/000.340.9110 (u. 1)	
12	ROCKER ARM REPAIR KIT EC 2018 BE34035CT-CLJ-1 (u. 1)	

13

RED STICKER SHOCK ABSORBER KYB
0/000.390.9158 (u. 1)

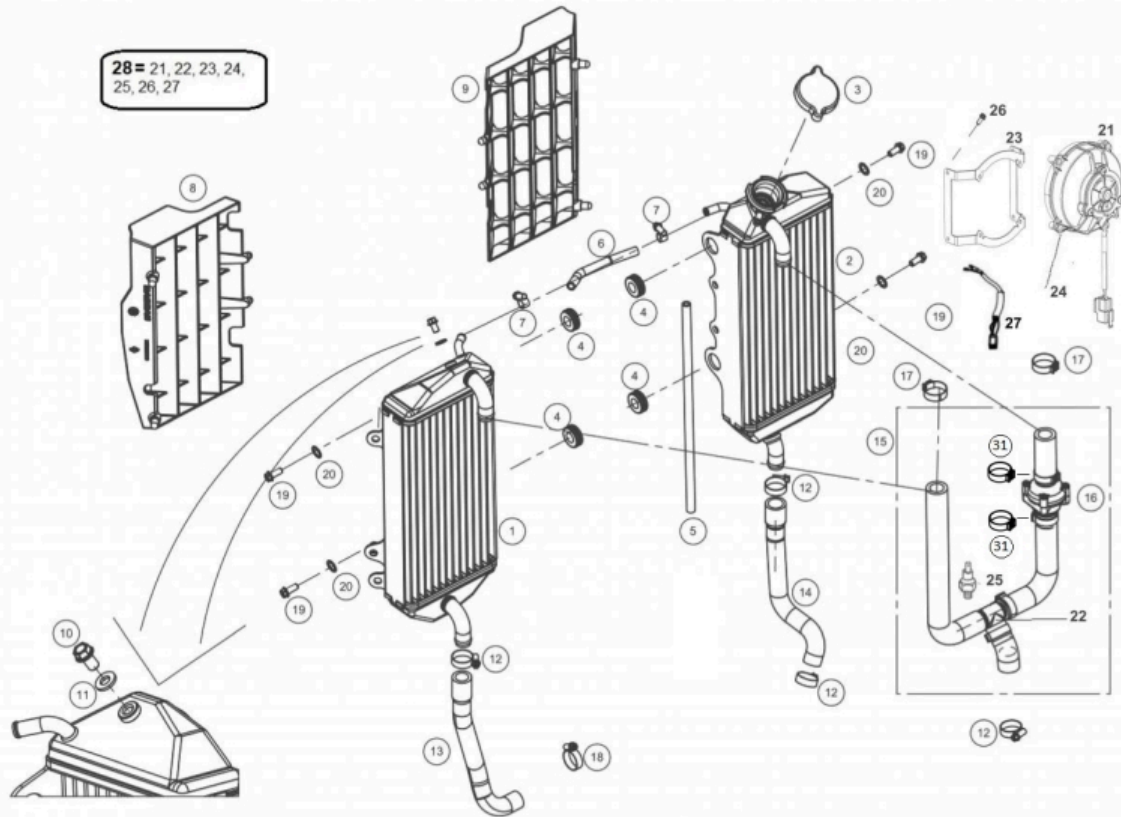
BLACK SHOCK ABSORBER STICKER KYB
0/000.390.9159 (u. 1)

SHOCK ABSORBER



1	UPPER BALL JOINT BUSHING KAYABA ENDURO SUSPENSION BE20210GG-CLJ-1 (u. 1)
2	O-RING BALL JOINT SUSPENSION KAYABA ENDURO BE30025GG-CLJ-1 (u. 3)
3	SEAL UPPER BALL JOINT SUSPENSION KAYABA ENDURO BE23295GG-CLJ-1 (u. 3)
4	WASHER BALL-JOINT UPPER SUSPENSION KAYABA ENDURO BE232990GG-CLJ-1 (u. 1)
5	UPPER BALL JOINT SHOCK ABSORBER KAYABA ENDURO BE23250GG-CLJ-1 (u. 1)
7	DUST COVER BALL-JOINT LOWER KAYABA ENDURO BE23280GG-CLJ-1 (u. 2)
8	BUSHING LOWER BALL JOINT SUSPENSION KAYABA ENDURO BE23285GG-CLJ-1 (u. 1)
9	NEEDLE BEARING LOWER SUSPENSION KAYABA ENDURO BE36060GG-CLJ-1 (u. 1)
10	BUSHING LOWER SUSP. KAYABA ENDURO BE23300GG-CLJ-1 (u. 1)
13	SPRING SHOCK ABSORBER 46 mm 50n KAYABA SUSPENSION ENDURO BE30010GG-CLJ-1 (u. 1)
	SPRING SHOCK ABSORBER 46 mm 52n KAYABA SUSPENSION ENDURO BE30011GG-CLJ-1 (u. 1)
	SPRING SHOCK ABSORBER 46 mm 54n KAYABA SUSPENSION ENDURO BE30012GG-CLJ-1 (u. 1)

RADIATOR

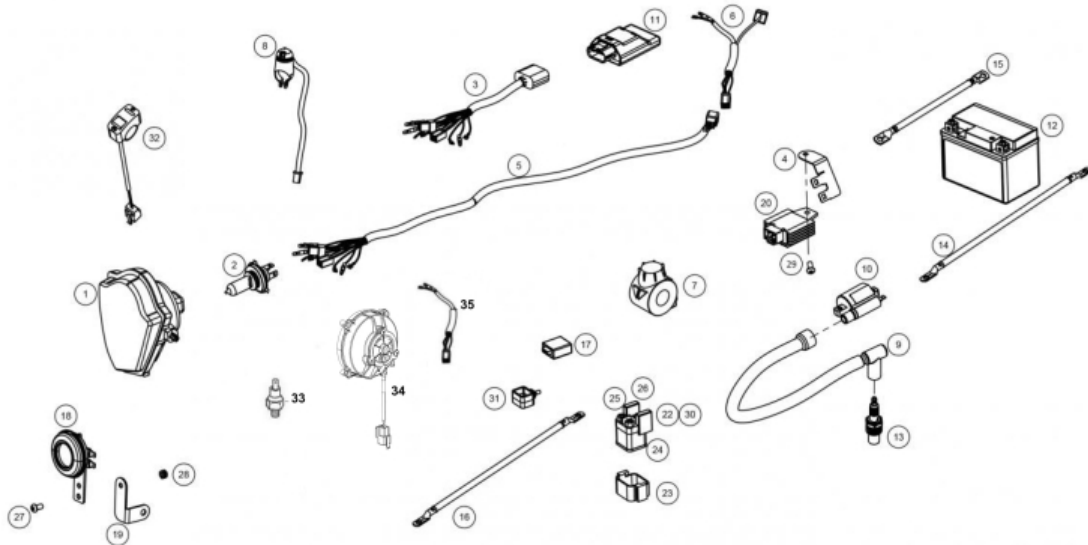


1	LEFT RADIATOR ENDURO 2019 0/000.580.9103 (u. 1)
2	RIGHT RADIATOR + 2 SILENTBLOCK 2019 0/000.580.9102 (u. 1)
3	RADIATOR CAP MR FLOREADO 1.8 REDUCED 0/000.410.9112 (u. 1)
4	RADIATOR STOP RUBBER 49100025 BIE500132031 (u. 4)
5	RADIATOR BREATHER HOSE 5X8 - 39CM 0/000.290.9117 (u. 1)
6	RADIATOR UNION TUBE MR 0/000.290.9103 (u. 1)
7	WORM GEAR CLAMP 10-16 (10107270010) STAINLESS STEEL FE 0/000.680.9108 (u. 2)
8	LEFT RADIATOR GRILLE ENDURO 2018 0/000.220.9113 (u. 1)
9	RADIATOR GRILLE RIGHT ENDURO 2018 0/000.220.9112 (u. 1)
10	SCREW SPECIAL 6X10+WASHER GEOMET 10.9 0/000.460.9133 (u. 1)
11	COPPER WASHER 6X10X1.5 WATER PUMP BOLT 0/000.440.9122 (u. 1)
12	WORM GEAR CLAMP 16-27 (10107270027) STAINLESS STEEL 0/000.680.9107 (u. 4)
13	TUBE RADIATOR LEFT TO LEFT CRANKCASE EC 2018 0/000.290.9105 (u. 1)
14	RIGHT LOWER RADIATOR HOSE EC 300 2014 0/000.290.9104 (u. 1)
15	SET RADIATOR TUBES-THERMOSTAT EC 2018 0/000.290.9118 (u. 1)

Obsolete

16	RADIATOR THERMOSTAT 0/001.010.9103 (u. 1)	
17	COBRA CLAMP 21 W4 0/000.680.3009 (u. 2)	
18	HOSE CLAMP COBRA-19 INOX A2 0/000.680.9104 (u. 1)	
19	HEX BOLT WASHER 6x14 (Fork Brace) DIN 6921 0/000.460.9118 (u. 4)	Obsolete
	SCREW DIN 6921 HEX.8 TX30 M6x14 CAL.10.9 GEOMET 0/000.460.9215 (u. 4)	
20	WASHER DIN 9022 M6 GRADE A2 STAINLESS STEEL 0/000.440.9141 (u. 4)	
	WASHER 6X20X2 0/000.440.9112 (u. 4)	
21	RADIATOR FAN 0/005.060.9100 (u. 1)	
22	T-TYPE CONNECTOR MR RADIATOR 0/000.290.9119 (u. 1)	
23	FAN SUPPORT MR 0/000.980.9124 (u. 1)	
24	SCREW CELO RHS81P 5X12 TORX Z/WHITE 0/000.460.0090 (u. 4)	
25	TEMPERATURE SENSOR 87° M14x1.5 0/001.010.9102 (u. 1)	
26	RIVET DIN 7337/B 4.8x10 L/BLACK 0/000.330.0053 (u. 4)	
27	ELECTRIC FAN INSTALLATION MR 0/000.160.9111 (u. 1)	
28	ELECTROFAN KIT MR + BRACKET + INSTALLATION 0/K05.060.9100 (u. 1)	
31	CLAMP COBRA Ø26/8 W4 0/000.680.0567 (u. 2)	

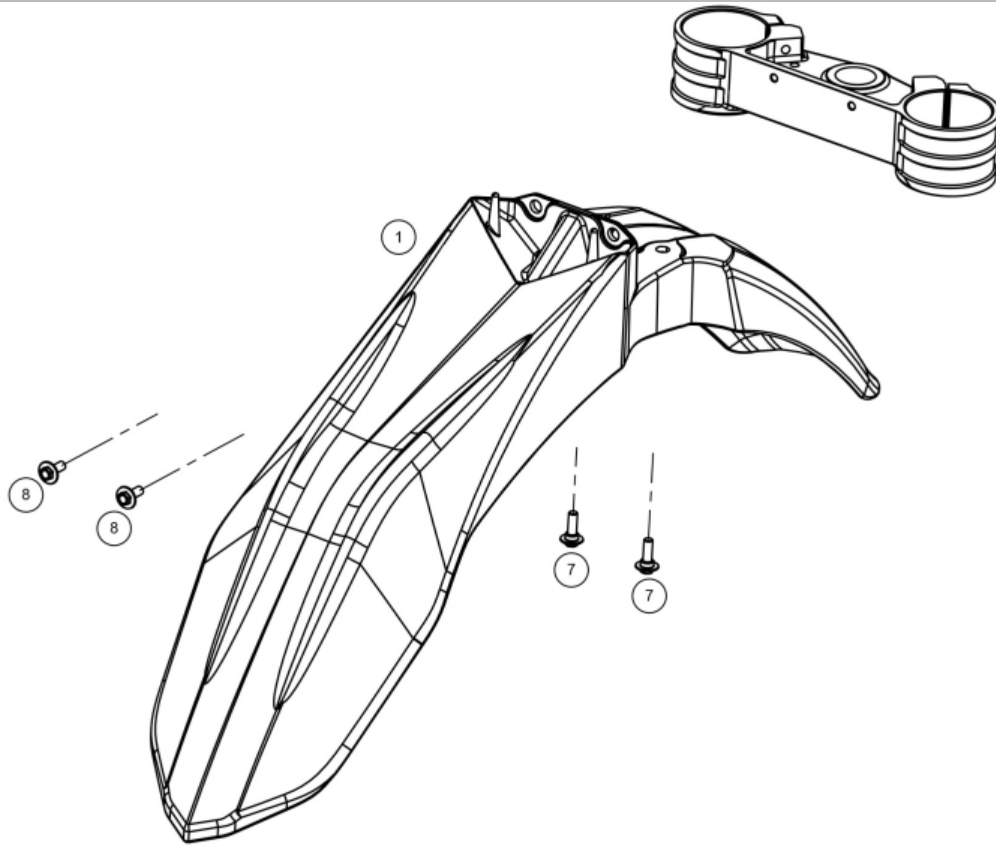
ELECTRICAL PARTS



1	HEADLIGHT ASSEMBLY WITH POSITION LIGHT PT-107 0/000.600.0270 (u. 1)	
2	HS1 12V 35/35W HALOGEN BULB L300125 (u. 1)	
3	SPARK INSTALLATION 0/000.160.9101 (u. 1)	
4	BRACKET FIX CONNECTORS IGNITION ENDURO 2018 0/000.980.9110 (u. 1)	
5	MAIN ELECTRICAL INSTALLATION ELECTRIC FAN MR 0/000.160.9112 (u. 1)	
6	LICENSE PLATE LIGHT INSTALLATION ENDURO 2018 0/000.160.9103 (u. 1)	
7	STARTER SWITCH ENDURO 2018 0/000.720.9101 (u. 1)	
8	KILL SWITCH TRIAL 2015 0/000.720.9102 (u. 1)	
9	SPARK PLUG CAP LB05EMH=BT27934000 0/005.110.9100 (u. 1)	
10	IGNITION COIL 0/005.070.9100 (u. 1)	
11	SET CDI PROGRAMMED EC 250-300 GP 2019 EE51100CT-CSK-2 (u. 1)	
12	BATTERY LITIUM 4.0 Ah, HJTZ7S-FPZ 0/000.900.9100 (u. 1) BATTERY BS LITHIUM - BSLI-02 0/000.900.9103 (u. 1)	Obsolete
13	SPARK PLUG W24ESRU/BR8ES 0/005.110.9101 (u. 1)	
14	POSITIVE BATTERY CABLE EC 2019 0/000.160.9105 (u. 1)	
15	NEGATIVE BATTERY CABLE 0/000.160.9104 (u. 1)	
16	STARTER MOTOR RELAY CABLE 2019 0/000.160.9107 (u. 1)	
17	MODULE SCHOTTKY DIODES 0/001.200.9100 (u. 1)	
18	HORN CLASS II TYPE DL128J-12V 0/000.420.5011 (u. 1)	

19	ZINC-PLATED BRACKET HORN ENDURO 2018 0/000.980.9107 (u. 1)	
20	REGULATOR 0/005.070.9101 (u. 1)	
21	ELECTRIC FAN INSTALLATION MR 0/000.160.9111 (u. 1)	
22	RC19-025 Relay Assy Power W/Stay 0/001.200.9101 (u. 1)	
	STARTER RELAY (RC19-005 ^a) STARTER RELAY 00020 A7343-888-00-000 0/001.200.9103 (u. 1)	
23	RUBBER BRACKET RELAY STARTER FIXED VERTICAL EE85205GG-CAK-1 (u. 1)	
24	FUSE PROTECTIVE COVER (B4694-730-00-001) EE851052511 (u. 2)	
25	DENTED WASHER DIN 6798/J M6 GRADE A2 STAINLESS STEEL 0/000.440.0240 (u. 2)	
	ARANDELA EN ABANICO DIN 6798 ZINC 0/000.440.9127 (u. 2)	Obsolete
26	SCREW SPECIAL 6X10+WASHER GEOMET 10.9 0/000.460.9133 (u. 2)	Obsolete
27	BOLT ESP 6X12 WITH WASHER AND LOCKING ISO 7380-2 STAINLESS A2 0/000.460.9108 (u. 1)	
28	NUT 956 QUICK M-6 HRC 40/48 0/000.340.9120 (u. 1)	
29	HEX BOLT WASHER 6x14 (Fork Brace) DIN 6921 0/000.460.9118 (u. 1)	Obsolete
	SCREW DIN 6921 HEX.8 TX30 M6x14 CAL.10.9 GEOMET 0/000.460.9215 (u. 1)	
30	UNIVERSAL FUSE 20A 0/000.910.9100 (u. 2)	
31	RUBBER SUPPORT FOR DIODE MODULE 0/000.360.9111 (u. 1)	
32	DUAL MAP SWITCH 0/000.720.9100 (u. 1)	
33	TEMPERATURE SENSOR 87° M14x1.5 0/001.010.9102 (u. 1)	
34	RADIATOR FAN 0/005.060.9100 (u. 1)	
35	ELECTRIC FAN INSTALLATION MR 0/000.160.9111 (u. 1)	

FRONT FENDER



1 FRONT FENDER MR BLACK
0/000.050.9100 (u. 1)

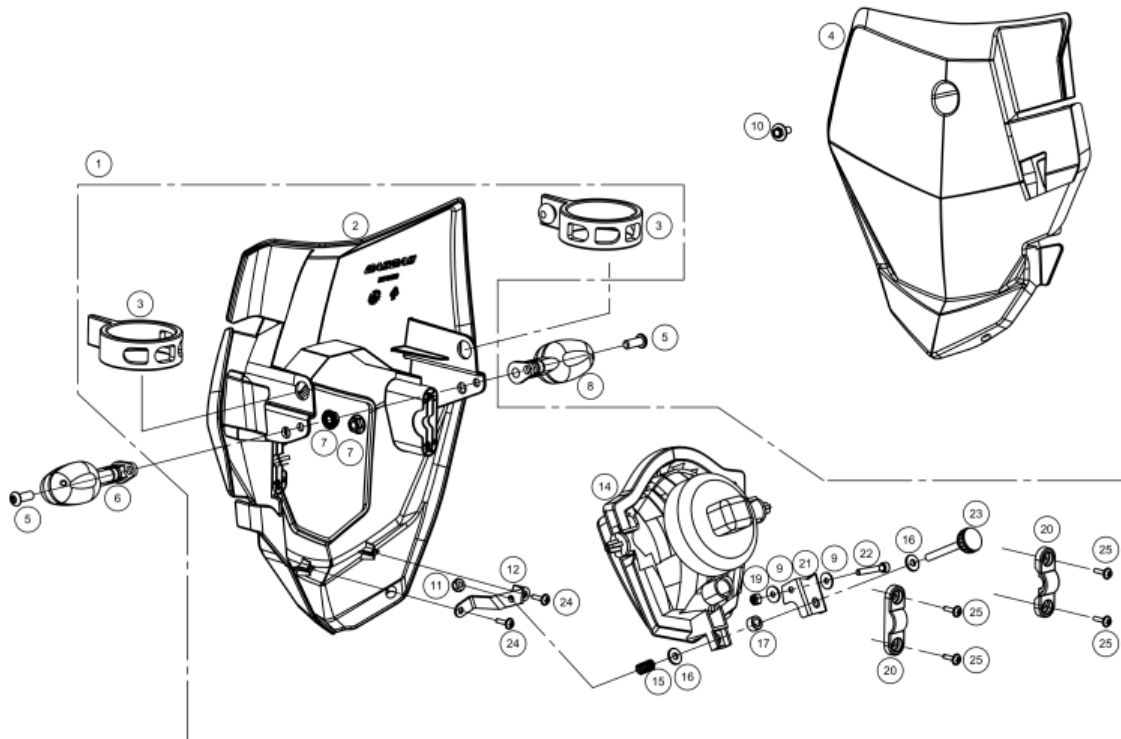
7 BOLT ESP. 6X16 DRACOMET
0/000.460.9100 (u. 2)

Obsolete

8 HEX. HEAD SCREW DIN 6921 M6x7 WITH CENTERING
0/000.460.9161 (u. 2)

TORN.ESP. DIN 6921 Hex.8 TX30 C/Centrador 3,70 M6x7 Cal.10.9 GEOMET
0/000.460.9200 (u. 2)

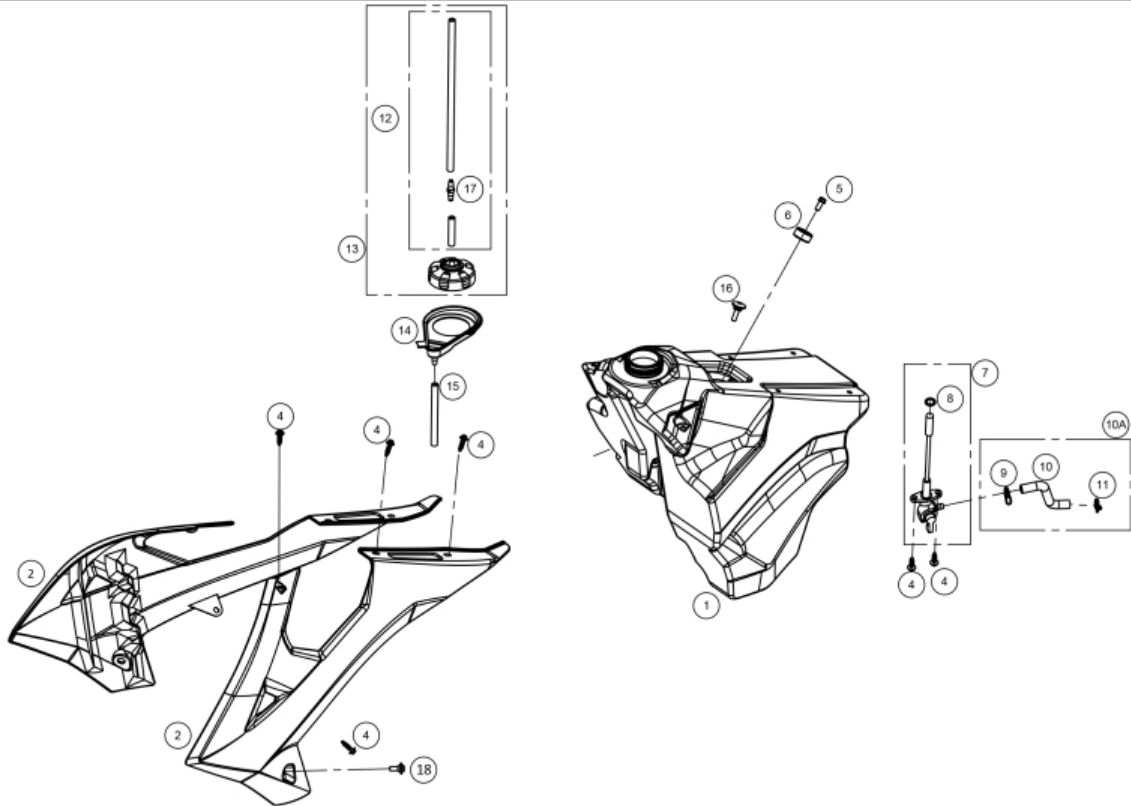
FRONT LIGHT



1	COMPLETE HEADLIGHT KIT MR BLACK 0/K00.620.9101 (u. 1)
2	HEADLIGHT HOLDER MR BLACK 0/000.620.9101 (u. 1)
3	HEADLIGHT RUBBER HOLDER D.38 PP HP2070291G 0/000.360.9102 (u. 2)
4	FRONT NUMBER PLATE CROSS COUNTRY 2018 WHITE 0/000.570.9113 (u. 1)
5	6X16 ULS SCREW ISO 7380-1 BLACK 12.9 0/000.460.9156 (u. 2)
6	LEFT FRONT INDICATOR 2005 0/000.150.9101 (u. 1)
7	NUT + WASHER M-6 SERRATED DIN 6923 ZINC 8 0/000.340.9116 (u. 2)
8	RIGHT FRONT INDICATOR 0/000.150.9100 (u. 1)
9	FLAT WASHER DIN 9021 M4 Z/WHITE 0/000.440.0021 (u. 2) 4X12X1 FLAT WASHER DIN 9021 ZN AG CR3 0/000.440.9119 (u. 2)
10	HEX. HEAD SCREW DIN 6921 M6x7 WITH CENTERING 0/000.460.9161 (u. 1) TORN.ESP. DIN 6921 Hex.8 TX30 C/Centrador 3,70 M6x7 Cal.10.9 GEOMET 0/000.460.9200 (u. 1)
11	SELF-LOCKING NUT M5 LOW DIN-985 ZINC 8 0/000.340.9112 (u. 1)
12	HEADLIGHT ADJUSTMENT PLATE 0/000.980.9103 (u. 1)
13	PLASTIC SCREW 4X10 ZN BLUE 0/000.460.9159 (u. 2)

14	HEADLIGHT ASSEMBLY WITH POSITION LIGHT PT-107 0/000.600.0270 (u. 1)
15	ADJUSTMENT SCREW HEADLIGHT SPRING 0/000.470.9107 (u. 1)
16	WASHER 5X12X1.5 DIN 125A ZINC 0/000.440.9121 (u. 2)
17	ALUMINIUM BUSHING ø5.5X10X6 0/000.480.9128 (u. 1)
19	SELF-LOCKING NUT M4 DIN 985 ZINC 8 0/000.340.9111 (u. 1)
20	HEADLIGHT BRACKET MR BLACK INJ. 0/000.980.9127 (u. 2)
21	2012 EC HEADLIGHT REINFORCEMENT TAB 0/000.980.9106 (u. 1)
22	ALLEN 4X25 DIN 912 ZINC 0/000.460.9144 (u. 1)
23	REGULATOR BOLT HEADLIGHT ELESA B.193/18 P M5X40 0/000.460.9106 (u. 1)
24	PLASTIC SCREW 4X10 ZN BLUE 0/000.460.9159 (u. 2)
25	SPECIAL PLASTIC SCREW 4X12 CELO RF87T VERZINKT 0/000.460.9160 (u. 4)

TANK

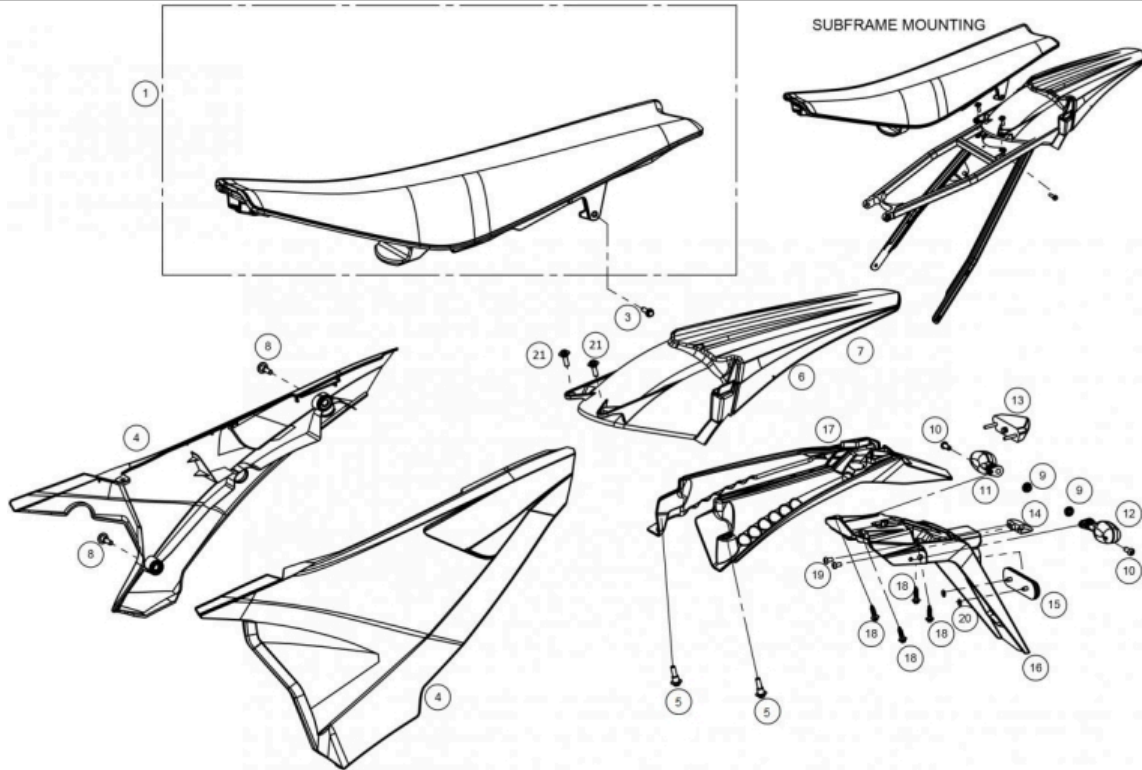


1	FUEL TANK EUROPA (XPE) ENDURO 2018 0/000.030.9100 (u. 1)
2	RADIATOR PROTECTION PLATE KIT BLACK MR 0/K00.570.9102 (u. 1)
4	PLASTIC THREAD SCREW HEX.6 WITH WASHER 6x20 0/000.460.9178 (u. 10)
5	SCREW DIN 6921 HEX.8 TX30 M6x14 CAL.10.9 GEOMET 0/000.460.9215 (u. 1)
	HEX BOLT WASHER 6x14 (Fork Brace) DIN 6921 0/000.460.9118 (u. 1)
6	SILENTBLOCK+WASHER AND GASOLINE TANK GASKET 0/000.360.9105 (u. 1)
7	FUEL PETCOCK ENDURO 2018 0/000.370.9100 (u. 1)
8	10X2.5 FUEL TAP O-RING B740120 (u. 1)
9	SPRING CLAMP M-11.6-12.3 ZINC CR3 0/000.680.9102 (u. 1)
10	FUEL TUBE ENDURO 2018 HOMOLOGATION 0/000.290.9109 (u. 1)
10A	FUEL TUBE ENDURO 2018 0/000.290.9108 (u. 1)
11	SPRING CLAMP M-12X1.5 STEEL ZN 0/000.680.9103 (u. 1)
12	SET FUEL TANK VENT HOSE 26cm 0/000.290.9115 (u. 1)
13	SET FUEL CAP + TUBE EC 2014 BE76010CT-CAB-1 (u. 1)
14	OVERFLOW FUEL TANK 0/000.570.9102 (u. 1)

Obsolete

15	OVERFLOW TUBE GASOLINE TANK ENDURO 0/000.290.9107 (u. 1)	
16	TANK SCREW - SEAT Ø6x23 0/000.460.9177 (u. 1)	
17	FUEL TANK VAPOR VALVE BT27836025 (u. 1)	
18	HEX BOLT DIN 6921 M6X12 WITH CENTERING FLANGE 0/000.460.9101 (u. 2)	Obsolete

REAR FAIRING

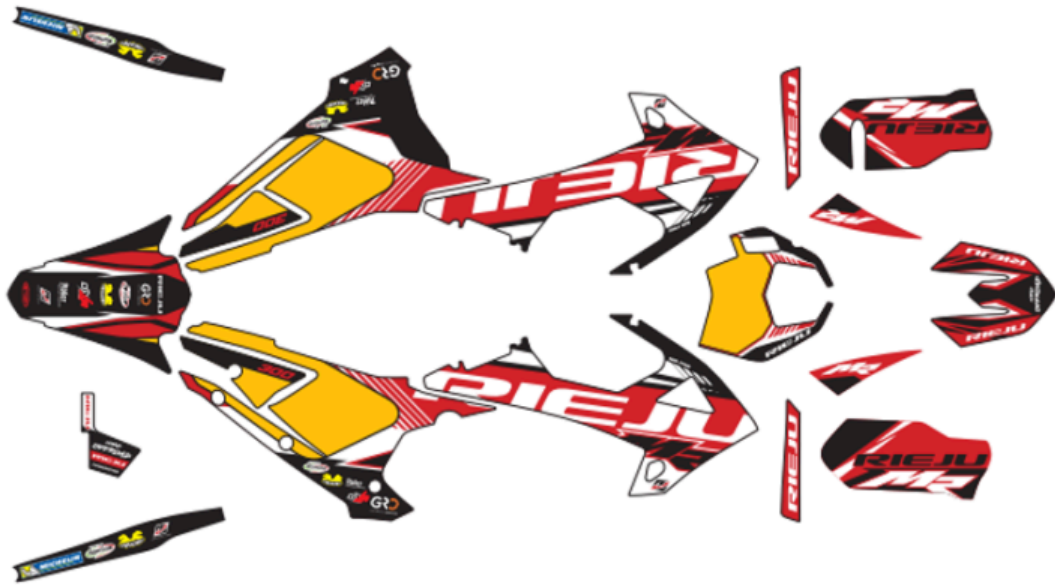


1	SEAT MR PRO 2024 0/000.040.9109 (u. 1)	
3	TORN.ESP. DIN 6921 Hex.8 TX30 M6x25 Cal.10.9 GEOMET 0/000.460.9182 (u. 1)	
3	SPECIAL BOLT DIN 6921 HEX.8 M6x25 GRADE 10.9 GEOMET 0/000.460.9121 (u. 1)	Obsolete
4	KIT BLACK NUMBER PLATES MR 0/K00.570.9106 (u. 1)	
5	BOLT DIN 6921 HEX.8 WITH CENTERING M6x16 0/000.460.9163 (u. 2)	Obsolete
5	SCREW DIN 6921 Hex.8 TX30 WITH CENTERING 8.70 M6x16 GRADE 10.9 GEOMET 0/000.460.9202 (u. 2)	
6	REAR FENDER MR BLACK 0/000.060.9104 (u. 1)	
8	BOLT ESP. 6X16 DRACOMET 0/000.460.9100 (u. 2)	Obsolete
9	NUT + WASHER M-6 SERRATED DIN 6923 ZINC 8 0/000.340.9116 (u. 2)	
10	6X16 ULS SCREW ISO 7380-1 BLACK 12.9 0/000.460.9156 (u. 2)	
11	RIGHT REAR INDICATOR 2005 0/000.150.9102 (u. 1)	
12	LEFT REAR INDICATOR 2005 0/000.150.9103 (u. 1)	
13	LED TAIL LIGHT V.2 0/000.150.9106 (u. 1)	
14	LICENSE PLATE LIGHT MR 0/000.150.9104 (u. 1)	
15	CATADIOPTRIC 700R ENDURO 2007 0/000.630.9103 (u. 1)	
16	LICENSE PLATE HOLDER APPROVED MRT 2021 0/000.060.5302 (u. 1)	

17	LICENSE PLATE HOLDER SHORT EC 2018 0/000.060.9101 (u. 1)	
18	PLASTIC THREAD SCREW HEX.6 WITH WASHER 6x20 0/000.460.9178 (u. 4)	
19	ULS TORX WITH WASHER 4X08 ISO 7380-2 STAINLESS STEEL A2 0/000.460.9158 (u. 2)	
20	STAPLE 02110396 SRRM-5 REFLECTOR 0/000.440.9102 (u. 2)	
21	HEX BOLT DIN 6921 M6X12 WITH CENTERING FLANGE 0/000.460.9101 (u. 2)	Obsolete

STICKERS

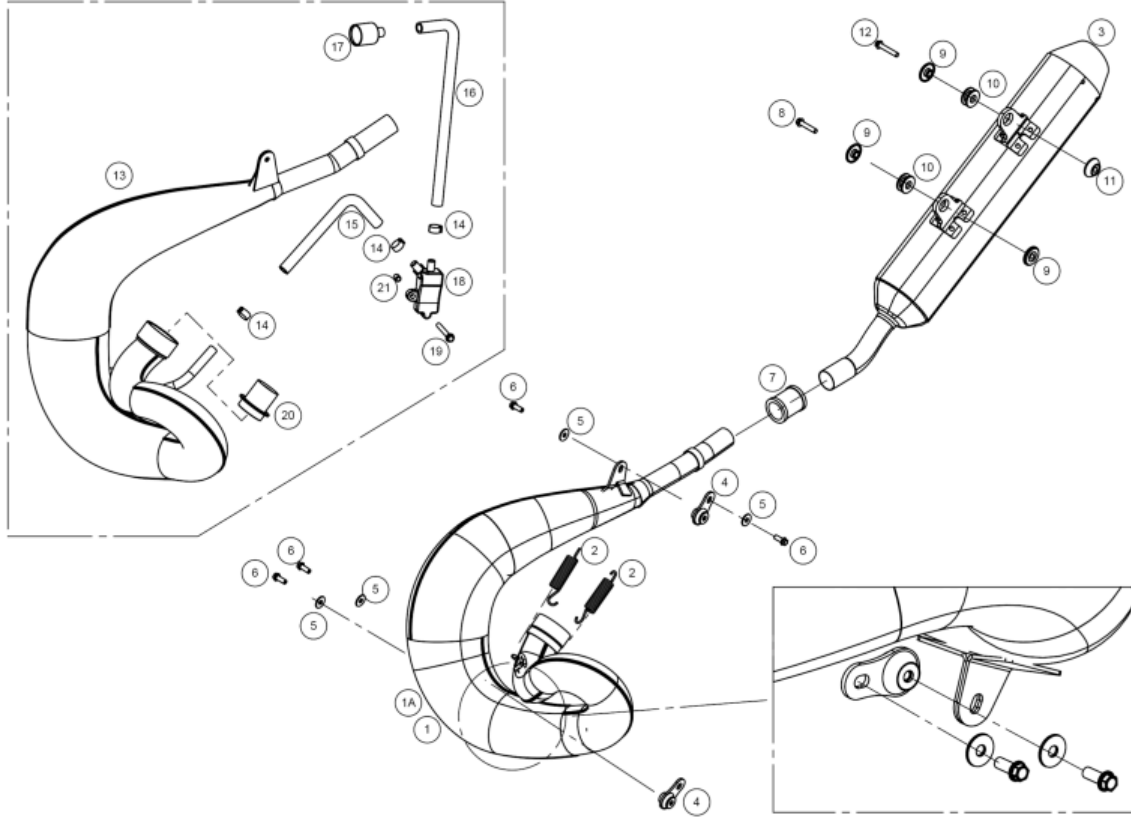
0/000.390.9146 JUEGO CALCAS MR PRO ROJO 2024



1 DECAL SET MR PRO RED 2024
0/000.390.9146 (u. 1)

2 ADHESIVE RIM ENDURO RED
0/000.390.5140 (u. 8)

EXHAUST SYSTEM



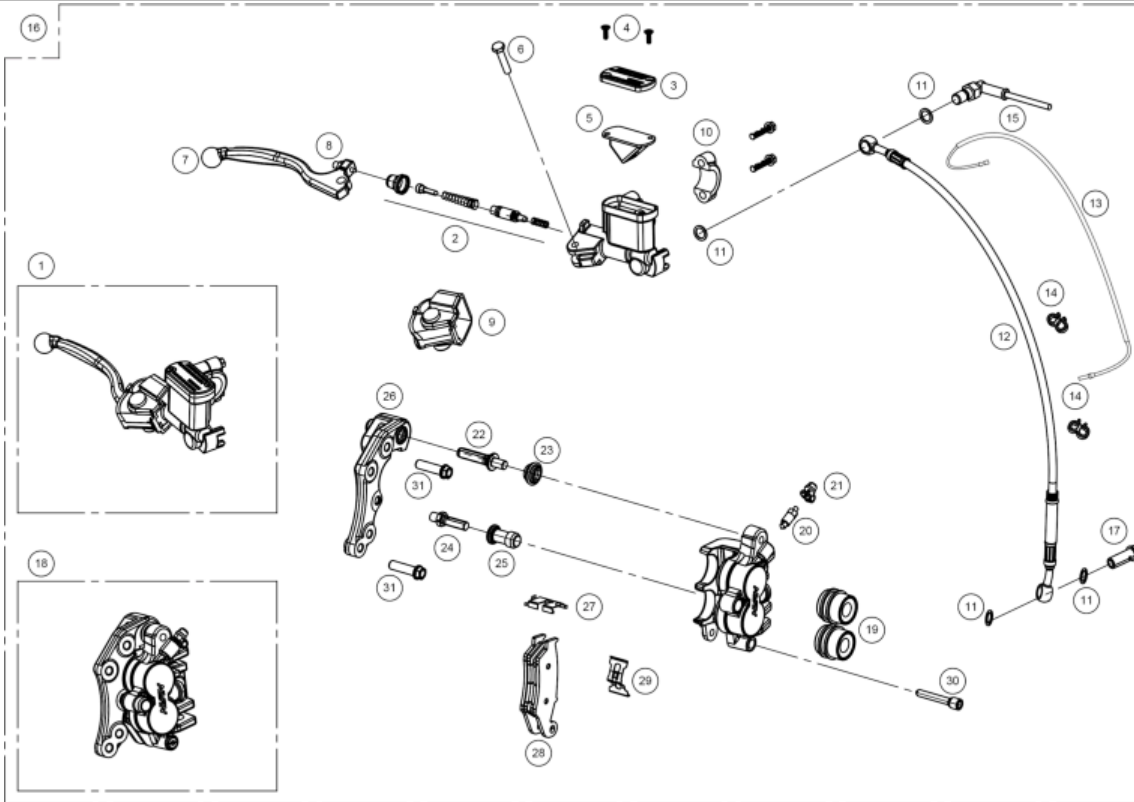
1	EXHAUST MR RIEJU BY OXA 2024 0/000.290.9137 (u. 1)
2	SPRING EXHAUST EC 0/000.470.9106 (u. 2)
3	FIBER FOR SILENCER MR 2022 0/000.870.9105 (u. 1)
4	MUFFLER MR 2022 0/000.870.9104 (u. 1)
5	SILENBLOCK EXHAUST PIPE ENDURO 0/000.360.9107 (u. 2)
6	WASHER 6X18X1.5 DIN 9021 ZINC 0/000.440.9126 (u. 4)
7	TORN.ESP. DIN 6921 HEX.8 TX30 M6x16 CAL.10.9 GEOMET 0/000.460.9216 (u. 4)
8	M6x16 HEX HEAD SCREW DIN 6921 GRADE 10.9 GEOMET 0/000.460.9119 (u. 4)
9	EXHAUST GASKET 250 SILIC.5916 0/000.490.9103 (u. 1)
10	ALLEN BOLT 6x30 DIN 6921 GEOMET 0/000.460.9123 (u. 1)
11	SCREW DIN 6921 Hex.8 TX30 M6x30 Thread.20 Grade.10.9 GEOMET 0/000.460.9183 (u. 1)
12	SILENCER COVER SHORT EC 2018 0/000.480.9115 (u. 3)
13	SILENBLOCK MUFFLER EC 2018 0/000.360.9108 (u. 2)
14	LONG SILENCER BUSH ENDURO 2018 0/000.480.9114 (u. 1)
15	SPECIAL BOLT DIN 6921 HEX.8 M6X35 CAL.10.9 GEOMET 0/000.460.9124 (u. 1)

Obsolete

Obsolete

13	SET EXHAUST PIPE EC 2018 HOMOLOGATION 0/000.290.9113 (u. 1)
14	CLAMP D.15/8 W4 STAINLESS STEEL A2 0/000.680.9106 (u. 3)
15	SHORT SECONDARY AIR TUBE EC-2009 0/000.290.9110 (u. 1)
16	SECONDARY AIR LONG TUBE EC-2009 0/000.290.9111 (u. 1)
17	AIS VALVE FILTER 0/227.013.0003 (u. 1)
18	SECONDARY AIR VALVE EC-2009 RV-1-037 0/000.640.9100 (u. 1)
19	HEX HEAD SCREW DIN 6921 M6x60 GRADE 10.9 GEOMET 0/000.460.9128 (u. 1)
20	CATALYST EC250-2002 0/001.600.9100 (u. 1)
21	PINION DISTANCE BUSH 0/000.980.9112 (u. 1)

FRONT BRAKE

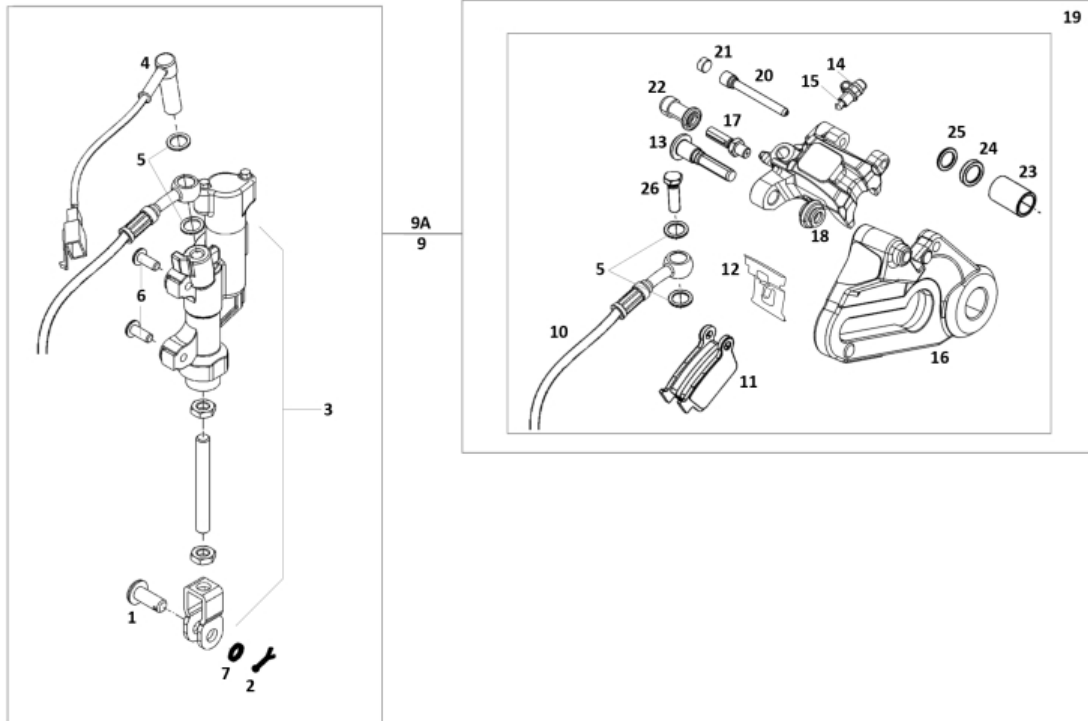


FRONT BRAKE PUMP NISSIN=BC25922008/2
0/000.820.9106 (u. 1)

1	BOMBA FRENO DEL.NISSIN=BC25922008 BC25922008/2 (u. 1)	Obsolete
2	A BRAKE PUMP PISTON KIT BC25922219 (u. 1)	
3	BRAKE PUMP COVER BC25922210 (u. 1)	
4	SCREW COVER PUMP 049-Z02-064 BC25922217 (u. 2)	
5	NOFOAM RUBBER 003-M68-042 BC25922216 (u. 1)	
6	SPECIAL SCREW BC25922212 (u. 1)	
7	FRONT BRAKE LEVER TT250 2904 (3274) BC250022045R (u. 1)	
8	NISSIN LEVER TENSIONER 003-M84-107 BC25922218 (u. 1)	
9	DUST COVER BC25922213 (u. 1)	
10	CLAMP BC25922211 (u. 1)	
11	HOSE WASHER 10X14X1 BE25622007 (u. 4) (PACK OF 5 PCS.) BANJO BOLT WASHER 10X14X1 BE25622007-B (u. 4)	Obsolete
12	FRONT BRAKE HOSE BE250422002 (u. 1)	
13	ENDURO KMS ACCOUNT SENSOR 0/001.010.9100 (u. 1)	

14	SPEEDO CABLE HOLDER CLIP KMS ACCOUNT 2008 0/000.630.9104 (u. 2)
15	SWITCH 23-016/1 STOP NISSIN PUMP 3 0/000.720.9104 (u. 1)
16	FRONT BRAKE BLEEDING SET ENDURO 2004 0/000.820.9107 (u. 1)
17	HOSE HOLDER RACORD 10X1.25 BC25722006 (u. 1)
18	FRONT BRAKE CALIPER + SUPPORT 272-C00-400 EC-2007 0/000.860.9101 (u. 1)
19	PISTON REPAIR KIT 272-C98-129 BE620422508 (u. 1)
20	BLEEDER KIT EC 142-D98-103 BE620602508 (u. 1)
21	BLEEDER CAP NISSIN 009-Z51-015 BE250022055 (u. 1)
22	GUIDE SCREW NISSIN 002-C46-086 BE250022092 (u. 1)
23	DUST COVER EC 002-C40-101 BE620682508 (u. 1)
24	BRAKE CALIPER PIN BOLT 082-C48-023 BE250022034 (u. 1)
25	DUST COVER CALIPER EC 002-C49-104 BE620692508 (u. 1)
26	FRONT CALIPER SUPPORT BE620102508 (u. 1)
27	BRAKE PADS HOLDER BRACKET 002-C80-014 BE620122508 (u. 1)
28	KIT FRONT BRAKE PADS BE620652508 (u. 1)
29	BRAKE PADS HOLDER BRACKET EC 002-C30-110 BE620112508 (u. 1)
30	FRONT BRAKE CALIPER PIN BE250022041 (u. 1)
31	HEXAGONAL FLANGE SCREW DIN 6921 M8x30 THREAD 22 GRADE 10.9 GEOMET 0/000.460.9138 (u. 2)

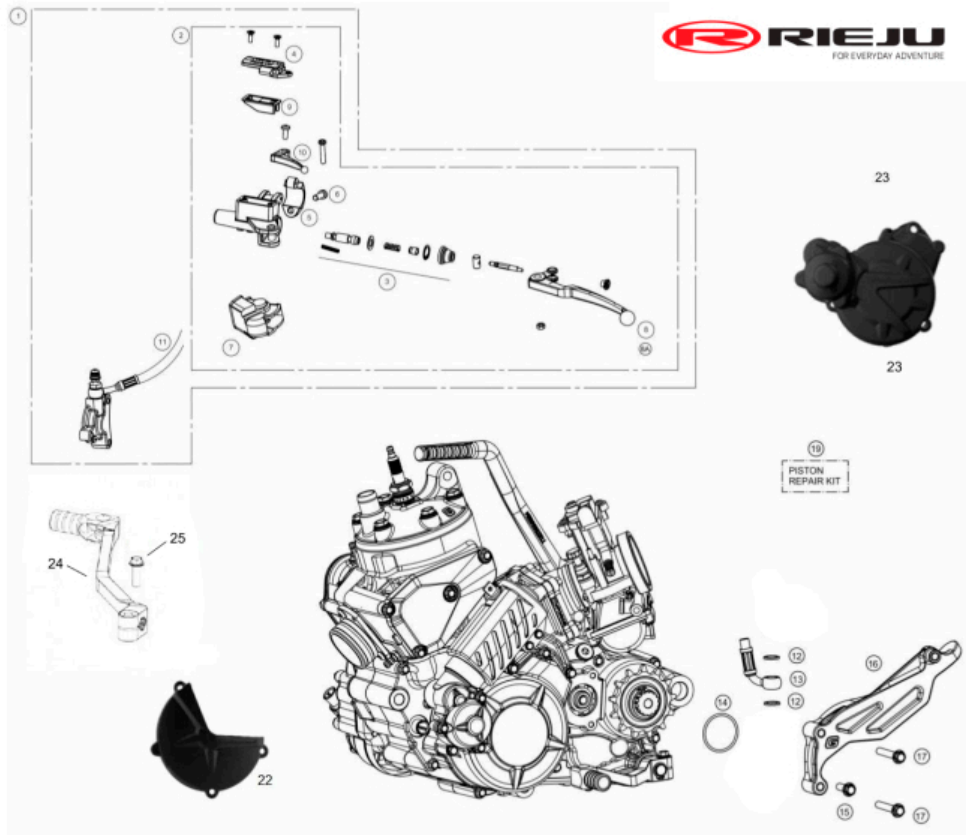
REAR BRAKE



1	BRAKE PEDAL PIN 8X20 0/000.840.9101 (u. 1)	
2	2X20 BRAKE PIN STOPPER 0/000.840.9102 (u. 1)	
3	SET. REAR BRAKE PUMP EC 2018 0/000.820.9105 (u. 1)	
4	SWITCH 23-016/1 STOP NISSIN PUMP 3 0/000.720.9104 (u. 1)	
5	HOSE WASHER 10X14X1 BE25622007 (u. 4)	Obsolete
	(PACK OF 5 PCS.) BANJO BOLT WASHER 10X14X1 BE25622007-B (u. 4)	
6	M6x16 HEX HEAD SCREW DIN 6921 GRADE 10.9 GEOMET 0/000.460.9119 (u. 2)	Obsolete
	TORN.ESP. DIN 6921 HEX.8 TX30 M6x16 CAL.10.9 GEOMET 0/000.460.9216 (u. 2)	
7	WASHER 8X16X1 ZINC-PLATED BRAKE PEDAL GASGAS 0/000.440.0302 (u. 1)	
8	CLAMP 2.5x100 T18ROS-PA66HS-BK 0/000.680.0081 (u. 3)	
	SHORT UNEX NYLON CLAMP 2.5X98 0/000.660.9106 (u. 3)	
9	SET REAR BRAKE EC-2018 0/000.820.9104 (u. 1)	
10	NISSIN REAR BRAKE HOSE BE661002509 (u. 1)	
11	REAR BRAKE PADS KIT BE675002509 (u. 1)	
12	REAR BRAKE PADS HOLDER BRACKET (B) BE250022091 (u. 1)	
13	CALIPER HOLDER SCREW BE250022096 (u. 1)	

14	BLEEDER CAP NISSIN 009-Z51-015 BE250022055 (u. 1)
15	BLEEDER NISSIN 079-Z50-001 BE250022060 (u. 1)
16	REAR BRAKE CALIPER SUPPORT NISSIN EC-2009 BE671002509 (u. 1)
17	BRAKE CALIPER PIN BOLT 082-C48-023 BE250022034 (u. 1)
18	DUST COVER EC 002-C40-101 BE620682508 (u. 1)
19	REAR BRAKE CALIPER SET + BRACKET EC-2009 0/000.860.9102 (u. 1)
20	BRAKE PADS PIN REAR 002-C50-053 BE250022094 (u. 1)
21	NISSIN PIN PROTECTOR BE250022095 (u. 1)
22	DUST COVER CALIPER EC 002-C49-104 BE620692508 (u. 1)
23	REAR BRAKE CALIPER PISTON BE675602509 (u. 1)
24	REAR BRAKE CALIPER SEAL EC-2009 250-C43-0 BE675502509 (u. 1)
25	SEAL REAR BRAKE CALIPER EC-2009 BE675552509 (u. 1)
26	HOSE HOLDER RACORD 10X1.25 BC25722006 (u. 1)

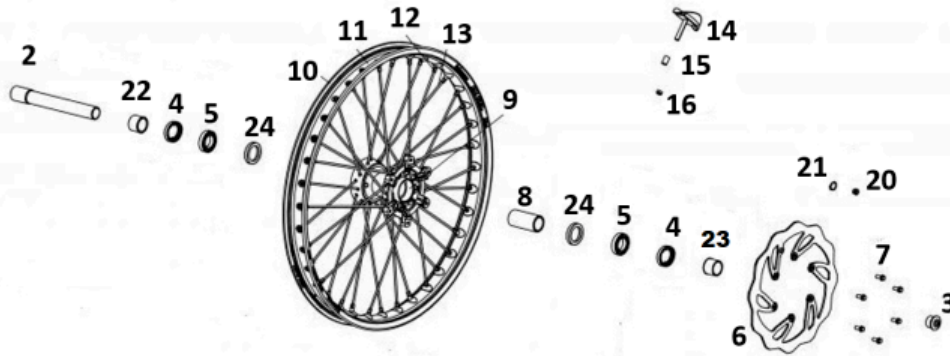
CLUTCH CONTROL



1	SET MAGURA CLUTCH PUMP, 9.5 (167) 0/000.830.9101 (u. 1)	
2	CLUTCH PUMP MAGURA 9,5 (167) 0020747 BE45000013011 (u. 1)	Obsolete
3	PISTON KIT 9.5 (0723184) BE45000043011 (u. 1)	
4	BLACK CLUTCH PUMP COVER 167.2 0/000.350.9119 (u. 1)	
	COVER MINERAL OIL (0723164) BE45000053011 (u. 1)	
5	CLAMP, HOLDER BE45000063011 (u. 1)	
6	HEXAGONAL FLANGE SCREW DIN 6921 TX30 M6x20 GRADE 10.9 GEOMET 0/000.460.9181 (u. 1)	
	BOLT 6x20 DIN 6921 GEOMET 10.9 0/000.460.9120 (u. 1)	Obsolete
7	DUST COVER BE45000093011 (u. 1)	
8	SHORT CLUTCH LEVER (0723121) BE45000023011 (u. 1)	
8A	LONG CLUTCH LEVER BE45000033011 (u. 1)	
9	BLACK CLUTCH PUMP COVER 167.2 0/000.350.9119 (u. 1)	
	MEMBRANAPÀSITO (0723162) BE45000103011 (u. 1)	Obsolete
10	CHOKE LEVER BE45000073011 (u. 1)	
11	ENDURO CLUTCH HOSE (FK003CE021E) BE250522003 (u. 1)	

12	HOSE WASHER 10X14X1 BE25622007 (u. 2)	Obsolete
	(PACK OF 5 PCS.) BANJO BOLT WASHER 10X14X1 BE25622007-B (u. 2)	
13	ENDURO CLUTCH HOSE (FK003CE021E) BE250522003 (u. 1)	
14	CLUTCH PUMP O-RING 32X2 EPDM ME25632024 (u. 1)	
15	BOLT 6x20 DIN 6921 GEOMET 10.9 0/000.460.9120 (u. 1)	Obsolete
	HEXAGONAL FLANGE SCREW DIN 6921 TX30 M6x20 GRADE 10.9 GEOMET 0/000.460.9181 (u. 1)	
16	CHAIN SLIDER KIT 3 SET. BE43015CT-CLJ-1 (u. 1)	Obsolete
	CHAIN SLIDER ASSEMBLY MR 300i 0/K00.360.9118 (u. 1)	
17	ORIGINAL TEXT: TORN.ESP. DIN 6921 HEX.8 TX30 M6x50 FIL.20 CAL.10.9 GEOMET 0/000.460.9186 (u. 2)	Obsolete
	HEAD SCREW 6x50 DIN 6921 GEOMET 10.9 0/000.460.9126 (u. 2)	
22	CLUTCH COVER PROTECTOR BLACK 0/000.220.9129 (u. 1)	
23	IGNITION COVER PROTECTOR BLACK 0/000.220.9130 (u. 1)	
24	SHIFT PEDAL MR 2022 0/005.430.9104 (u. 1)	
25	BOLT 6x20 DIN 6921 GEOMET 10.9 0/000.460.9120 (u. 1)	Obsolete
	HEXAGONAL FLANGE SCREW DIN 6921 TX30 M6x20 GRADE 10.9 GEOMET 0/000.460.9181 (u. 1)	

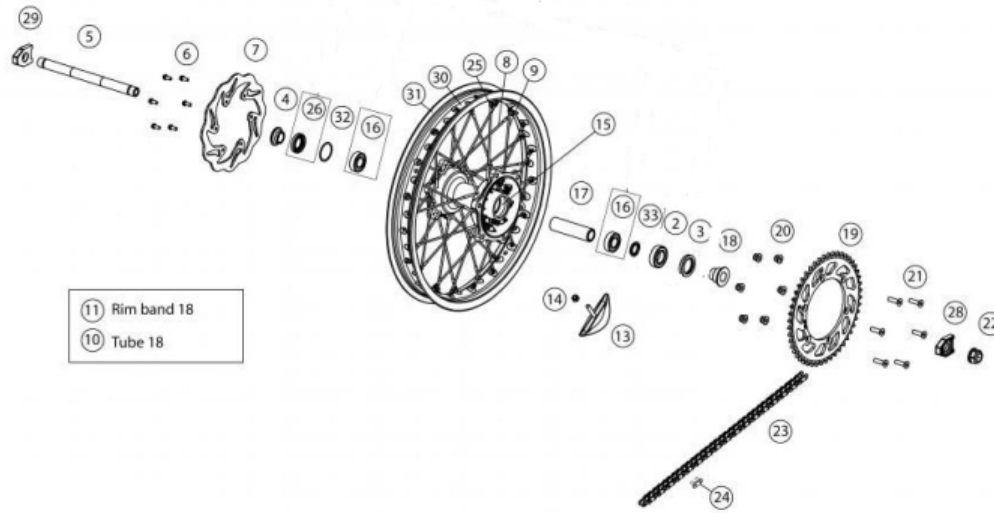
FRONT WHEEL



2	FRONT WHEEL AXLE EC-2011 20.8CM 0/000.190.9102 (u. 1)
	FRONT AXLE INNER SCREW MR2022 0/000.460.9166 (u. 1)
3	FRONT WHEEL AXLE NUT 0/000.340.9100 (u. 1)
4	SEAL 36x47x7 0/000.890.9111 (u. 2)
5	BEARING 6005 2RS 25x47x12 0/000.960.9117 (u. 2)
6	FRONT FLOATING DISC BRAKE DIAM. 260 0/001.090.9106 (u. 1)
7	HEXAGON HEAD SCREW DIN 6921 M6x14 WITH TUFFLOCK 306 YELLOW 0/000.460.9142 (u. 6)
8	FRONT HUB BEARING SEPARATOR 0/000.480.9139 (u. 1)
9	RED ANODIZED FRONT HUB MR PRO 0/000.070.9100 (u. 1)
10	SET OF SPOKED FRONT WHEEL MR PRO 2022 0/000.110.9103 (u. 1)
11	FRONT WHEEL EXCEL 1.60x21.0 BLACK ANODIZED 0/000.230.9106 (u. 1)
12	NIPPLE 7.6x19.2 8G 32 0/000.340.9127 (u. 36)
13	FRONT SPOKE 1.60x21" 0/000.540.9100 (u. 36)
14	FRONT WHEEL HOLDER 1.6x21 0/000.220.9114 (u. 1)
15	FRONT TIRE HOLDING BUSHING EC-2010 8X12X12 0/000.480.9112 (u. 1)
	SELF-LOCKING NUT M-8 LOW DIN 985 ZINC 0/000.340.9114 (u. 1)
16	NUT DIN 985 M8 GRADE 8 ZINC/WHITE 0/000.340.0181 (u. 1)
18	FRONT TUBE 21MDR VALVE TR4 833092 0/000.520.9100 (u. 1)

19	PROT.BAND FRONT.FLAP 1.60/1.85 X 21(1400X25) 949947 0/000.220.9108 (u. 1)
20	MAGNET EC 2010 0/001.010.9101 (u. 1)
21	SEGEER A 9 DIN 471 STAINLESS STEEL MAGNET BRACKET EC 2010 0/000.300.9100 (u. 1)
22	FRONT WHEEL LH SPACER 0/000.480.9137 (u. 1)
23	FRONT WHEEL SPACER RH 0/000.480.9138 (u. 1)
24	BEARING SPACER RING 0/000.300.9109 (u. 2)

REAR WHEEL

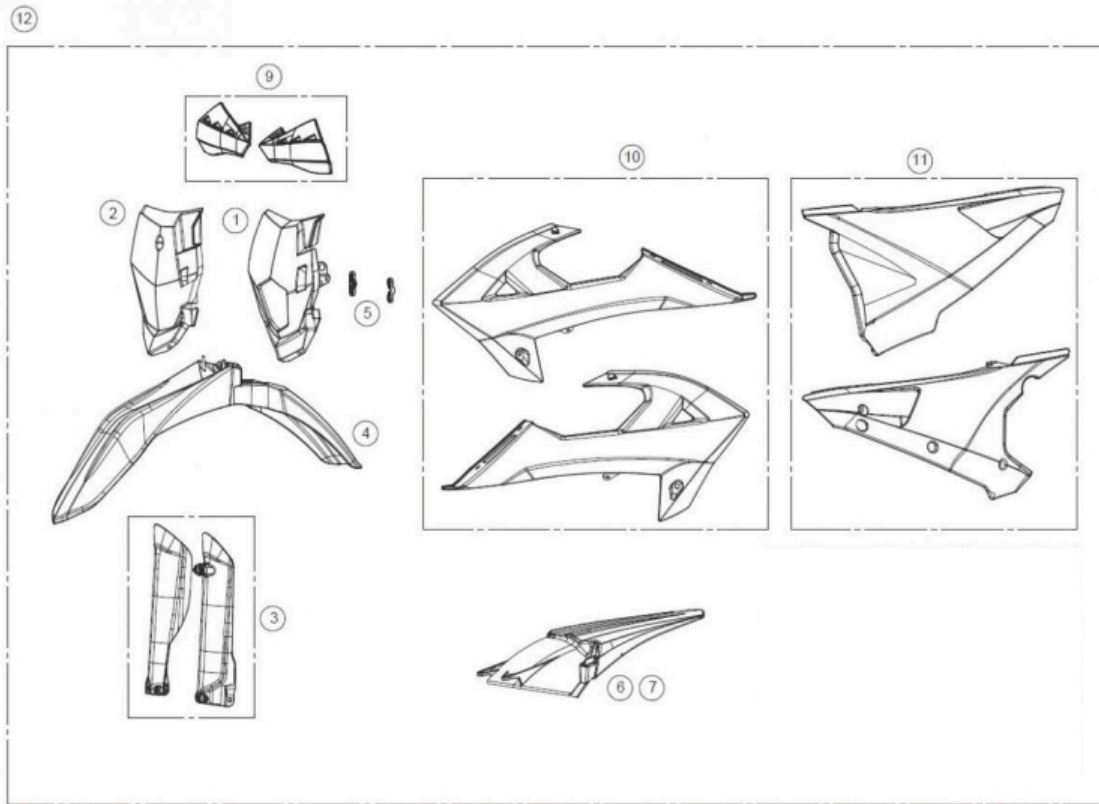


2	BEARING 6005 2RS 25x47x12 0/000.960.9117 (u. 2)
3	SEAL 36x47x7 0/000.890.9111 (u. 2)
4	REAR WHEEL SPACER RH 0/000.480.9141 (u. 1)
5	AXLE REAR WHEEL EC 2018 0/000.190.9103 (u. 1)
6	SCREW DIN 6921 HEX.8 TX30 M6x14 CAL.10.9 GEOMET 0/000.460.9215 (u. 2) HEX BOLT WASHER 6x14 (Fork Brace) DIN 6921 0/000.460.9118 (u. 6)
7	REAR DISC BRAKE MR 220mm 0/001.090.9108 (u. 1)
8	REAR SPOKE DISC SIDE 2.50x18" 0/000.540.9102 (u. 18)
9	REAR SPOKE PLATE SIDE 2.50x18" 0/000.540.9101 (u. 18)
10	REAR TUBE CH 18 MGR VALVE TR4 MICHELIN 0/000.520.9102 (u. 1)
11	REAR BAND PROTECTOR 1.60/2.00 X 18/19 (1300X25) 656415 MICHELIN 0/000.220.9110 (u. 1)
13	REAR GRIP 2.15x18 0/000.220.9115 (u. 1)
14	NUT DIN 985 M8 GRADE 8 ZINC/WHITE 0/000.340.0181 (u. 1) SELF-LOCKING NUT M-8 LOW DIN 985 ZINC 0/000.340.9114 (u. 1)
15	RED ANODIZED REAR HUB MR PRO 0/000.080.9100 (u. 1)
16	BEARING 6005 2RS 25x47x12 0/000.960.9117 (u. 2)

Obsolete

17	REAR SPOOL BEARING SEPARATOR 0/000.480.9142 (u. 1)	
18	REAR WHEEL SPACER LH 0/000.480.9140 (u. 1)	
19	Z49 SPROCKET CROSS 250 0/000.500.9100 (u. 1)	
	SPROCKET Z 48 ENDURO 2011 COLOR TITANIUM. 0/000.500.9101 (u. 1)	
	SPROCKET Z 50 ENDURO 2014 COLOR TITANIUM 0/000.500.9102 (u. 1)	
20	M8 NUT DIN 6926 GRADE 8 ZINC/WHITE 0/000.340.0180 (u. 6)	
21	ALLEN SCREW 8x30 DIN 7991 ZINC 12.9 0/000.460.9153 (u. 6)	
22	REAR WHEEL NUT. ENDURO 2018 0/000.340.9104 (u. 1)	
23	CHAIN 520 X-RING WITH SPROCKET PACKAGED 112 LINKS (WITH SEALS) 0/001.050.9100 (u. 1)	
24	CHAIN LINK 520 X-RING 0/001.050.9110 (u. 1)	
25	NIPPLE 7.6x19.2 8G 32 0/000.340.9127 (u. 36)	
26	SEAL 36x47x7 0/000.890.9111 (u. 1)	
28	CHAIN TENSIONER PASS-THROUGH ENDURO 2018 0/000.380.9101 (u. 1)	
29	CHAIN TENSIONER BLIND ENDURO 2018 0/000.380.9100 (u. 1)	
30	REAR WHEEL EXCEL 2.15x18.0 BLACK ANODIZED 0/000.230.9107 (u. 1)	
31	SET. SPOKED REAR WHEEL MR PRO 2022 0/000.120.9103 (u. 1)	Obsolete
32	BEARING SPACER RING 0/000.300.9109 (u. 1)	
33	BEARING SPACER RING 0/000.300.9109 (u. 1)	

FAIRING



1	HEADLIGHT HOLDER MR BLACK 0/000.620.9101 (u. 1)	
2	FRONT NUMBER PLATE CROSS COUNTRY 2018 WHITE 0/000.570.9113 (u. 1)	
3	SET PROT.UPSIDE-DOWN FORK MR BLACK 0/000.220.9118 (u. 1)	
4	FRONT FENDER MR BLACK 0/000.050.9100 (u. 1)	
5	HEADLIGHT BRACKET MR BLACK INJ. 0/000.980.9127 (u. 2)	
6	REAR FENDER MR BLACK 0/000.060.9104 (u. 1)	
9	ENDURO BLACK HANDGUARD SET (QWEST) WITHOUT LOGO 0/000.770.9109 (u. 1)	Obsolete
10	RADIATOR PROTECTION PLATE KIT BLACK MR 0/K00.570.9102 (u. 1)	
11	KIT BLACK NUMBER PLATES MR 0/K00.570.9106 (u. 1)	
12	COMPLETE PLASTIC KIT MR BLACK 0/K00.570.9108 (u. 1)	

ACCESSORIES

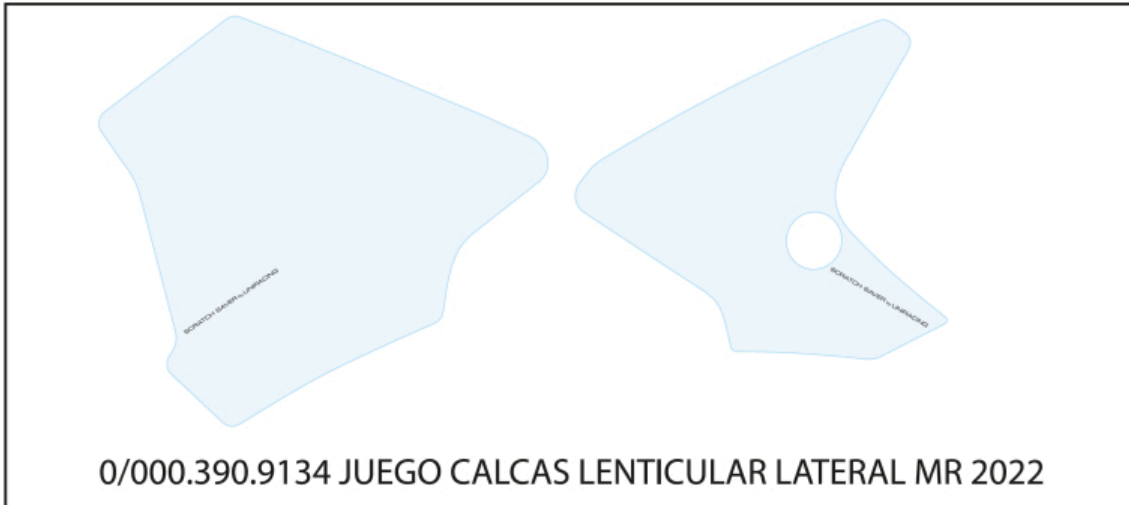


	T-SHIRT HARD OFF ROAD RED SIZE M 0/000.001.0271 (u. 1) - <i>Camisa HARD OFF ROAD 2021</i>	Obsolete
	HARD OFF ROAD RED SHIRT SIZE XXL 0/000.001.0274 (u. 1)	
10	T-SHIRT HARD OFF ROAD RED SIZE L 0/000.001.0272 (u. 1)	
	HARD OFF ROAD RED SHIRT SIZE S 0/000.001.0270 (u. 1)	
	HARD OFF ROAD RED SHIRT SIZE XL 0/000.001.0273 (u. 1)	Obsolete
	HARD OFF ROAD PANTS RED SIZE S 0/000.001.0275 (u. 1)	
	PANTS HARD OFF ROAD RED SIZE XXL 0/000.001.0279 (u. 1)	
20	HARD OFF ROAD RED PANTS SIZE XL 0/000.001.0278 (u. 1)	
	HARD OFF ROAD PANTS RED SIZE M 0/000.001.0276 (u. 1)	
	PANTS HARD OFF ROAD RED SIZE L 0/000.001.0277 (u. 1)	
	GLOVES HARD OFF ROAD 2021 S.L 0/000.001.0282 (u. 1)	Obsolete
	GLOVES HARD OFF ROAD 2021 S 0/000.001.0280 (u. 1)	Obsolete
30	GLOVES HARD OFF ROAD 2021 XXL 0/000.001.0284 (u. 1)	Obsolete
	GUANTES HARD OFF ROAD 2021 TALLA M 0/000.001.0281 (u. 1)	Obsolete
	GLOVES HARD OFF ROAD 2021 XL 0/000.001.0283 (u. 1)	Obsolete

40

EC KIT TO CONVERT TO XC
BE99996CT-CMV-1 (u. 1)

TRANSPARENT STICKER

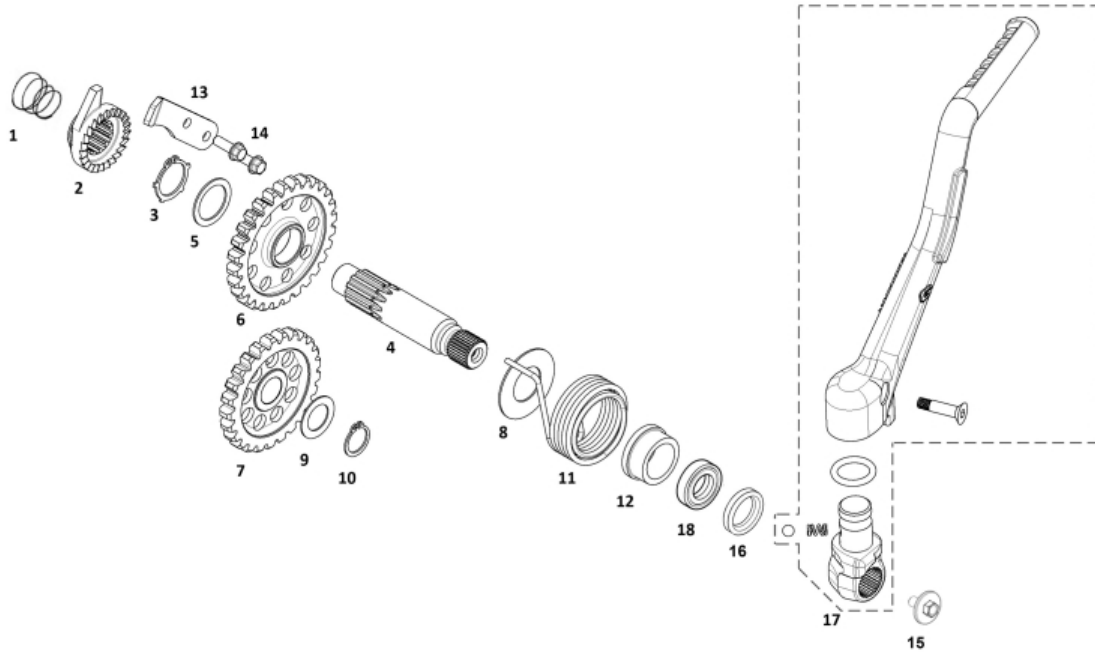


1

LATERAL LENTICULAR DECAL SET MR 2022
0/000.390.9134 (u. 1)

ENGINE MR 2022 V2

KICK STARTER

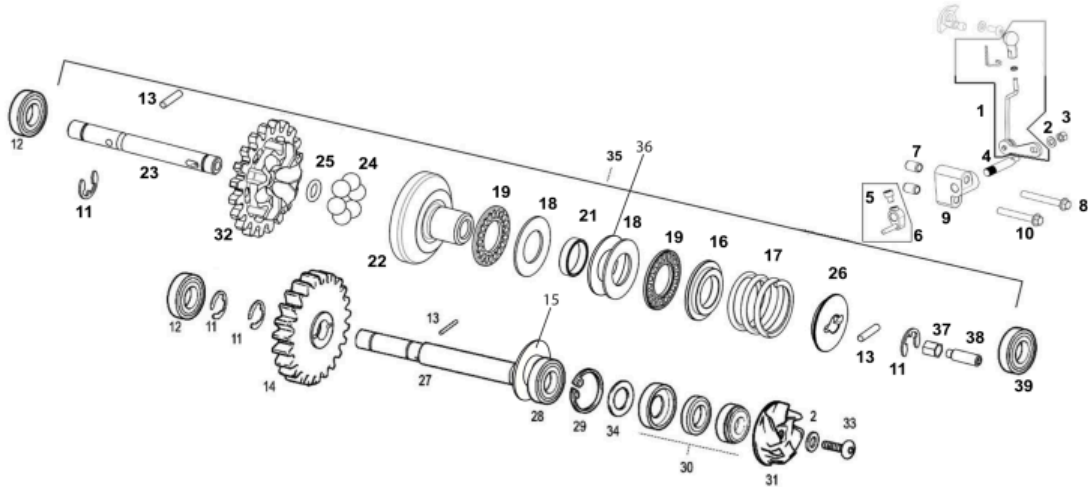


1	KICKSTART RATCHET SPRING 0/000.470.9109 (u. 1)
2	KICKSTART RATCHET EC125cc 0/005.400.9110 (u. 1)
3	CIRCLIP D.20 DIN 471 0/000.300.9105 (u. 1)
4	KICKSTART SHAFT EC-2001 0/005.400.9106 (u. 1)
5	END WASHER 27X20.2X1 STARTER SHIFT 0/000.440.9109 (u. 1)
6	STARTER PINION EC-2001 0/005.400.9105 (u. 1)
7	STARTER INNER PINION EC-2008 0/005.400.9108 (u. 1)
8	KICKSTART WASHER 40x20,15x1 0/000.440.9111 (u. 1)
9	WASHER PINION STARTER 24X15.15X0.8 0/000.440.9110 (u. 1)
10	SEEGGER RING DIN 471 D.15 0/000.300.9101 (u. 1)
11	KICKSTART SPRING 0/000.470.9110 (u. 1)
12	KICKSTART SPRING CENTERING BUSHING 0/000.480.9125 (u. 1)
13	KICKSTART RATCHET PLATE 0/000.980.9114 (u. 1)
14	BOLT + WASHER 5x15 DIN 6921 GEOMET 10.9 0/000.460.9115 (u. 2)
15	SPECIAL SCREW 6X11 GEOMET 10.9 0/000.460.9134 (u. 1)
16	BUSH STARTER PEDAL EC 2014 0/000.480.9126 (u. 1)
17	STARTER LEVER MR 2021 0/005.430.9103 (u. 1)

18

KICKSTART PEDAL OIL SEAL 20X30X7
0/000.890.9105 (u. 1)

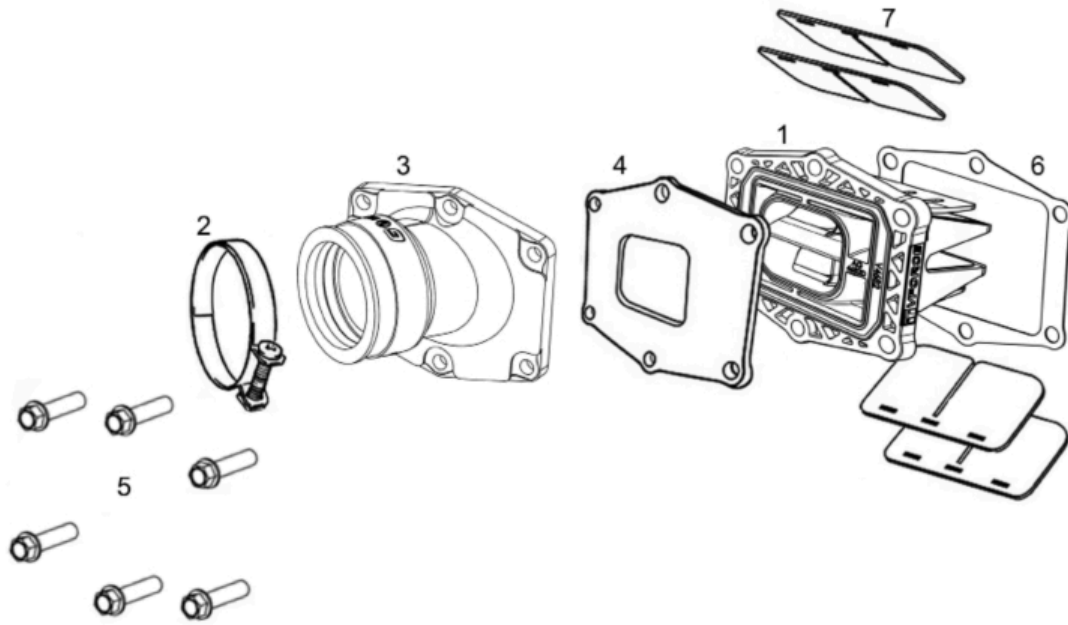
WATER PUMP



1	SET EXHAUST VALVE PUSHROD COMPLETE EC 2015 0/000.640.9104 (u. 1)	
2	WASHER 5X12X1.5 DIN 125A ZINC 0/000.440.9121 (u. 2)	
3	SELF-LOCKING NUT M5 LOW DIN-985 ZINC 8 0/000.340.9112 (u. 1)	
4	CORRECTED TRANSLATION: CENTRIFUGAL LEVER AXLE 0/000.190.9108 (u. 1)	
6	SET LEVER CENTRIFUGAL EC 300 2011 0/005.490.9101 (u. 1)	
7	ENGINE CASE LOCATOR BUSHING 0/000.480.9119 (u. 2)	
8	HEX HEAD SCREW DIN 6921 M6x60 GRADE 10.9 GEOMET 0/000.460.9128 (u. 1)	
9	BRACKET AXLE CONTROL VALVE EC 2015 0/000.980.9115 (u. 1)	
10	HEX HEAD SCREW DIN 6921 M6x40 THREAD 20 CLASS 10.9 GEO 0/000.460.9125 (u. 1)	
11	SEEGERRING DIN 6799 E7 0/000.300.9103 (u. 4)	
12	608Z C3 BEARING 0/000.960.9108 (u. 2)	
13	ROLLER 3X14 .DIN 7 ISO 2338 STAINLESS A1 CENTRIFUGAL WATER PUMP 0/000.280.9101 (u. 3)	
14	WATER PUMP PINION AND CENTERING 0/005.400.9111 (u. 1)	
15	WASHER DIAM.10 X DIAM.19 X 0.5 0/000.440.9113 (u. 1)	
16	CENTRIFUGAL SPRING RETAINER ME59026GG-CEQ-1 (u. 1) - 250cc / 300cc	Obsolete
17	CENTRIFUGAL EXHAUST VALVE SPRING 99 ME25916026 (u. 1) - 250cc / 300cc	
18	NEEDLE CAGE PLATE AS 15 0/000.440.9107 (u. 2)	
19	NEEDLE CAGE AXK 1528 0/000.960.9109 (u. 2)	
21	CENTRIFUGAL BEARING SPACER ME25616008 (u. 1)	

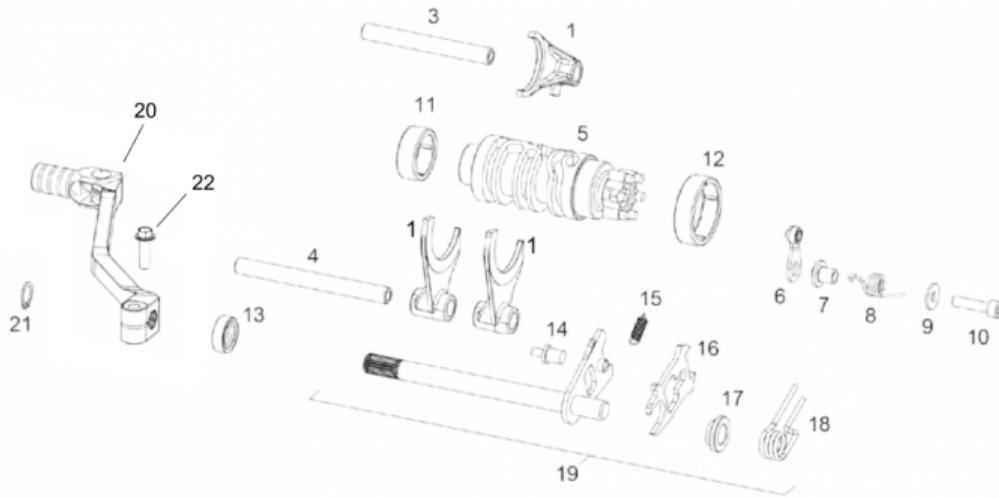
22	CLUCTH OUTER CENTRIFUGAL EC 2015 ME59030GG-CEQ-1 (u. 1)	Obsolete
23	AXLE CENTRIFUGAL EC 2015 ME59015GG-CEQ-1 (u. 1)	
24	8mm Clutch Ball Bearing 50cc ME25616033 (u. 6)	Obsolete
25	6X2 O-RING EXHAUST VALVE CENTRAL SHAFT ME25616045 (u. 1)	
26	ARAMOF LA APYO SPRING EC 300 2015 ME59025GG-CEQ-1 (u. 1) - 250cc / 300cc	Obsolete
27	WATER PUMP PINION SHAFT 0/000.190.9104 (u. 1)	
28	WATER PUMP BEARING 6000 C3Z=M03313001 0/000.960.9107 (u. 1)	
29	SEEGERS D.26 DIN 472-I26 0/000.300.9106 (u. 1)	
30	WATERPUMP SEAL (STUFFED) 1510 CA/CE 1 0/000.890.9104 (u. 1)	
31	WATER PUMP IMPELLER 2014 0/005.220.9100 (u. 1)	
32	PINION CENTRIFUGAL EC 300 2015 ME59050GG-CEQ-1 (u. 1)	
34	WASHER 25.8x17.5x0.5 WATER PUMP 0/000.440.9103 (u. 1)	
35	CENTRIFUGAL COMPLETE EC 200 2019 0/000.640.9102 (u. 1) - 200 CC	
	CENTRIFUGAL COMPLETE EC 300 2015 0/000.640.9101 (u. 1) - 300 CC	
36	ARANDELA 15X28X0.8 Y00.25406408 (u. 1)	Obsolete
37	TUERCA HEXAGONAL 6 M5 T2706050 (u. 1)	Obsolete
38	TORNILLO DE AJUSTE HEXA.INT.M5X16 T0325016 (u. 1)	Obsolete
39	BEARING BALL 619/8-ZZ 0/000.960.9105 (u. 1)	

REED VALVE



1	LAMINAR BOX V405D 0/005.600.9102 (u. 1) - CAJA LÁMINAS 2024	
	REED VALVE ASSEMBLY V-FORCE 4 0/005.600.9100 (u. 1)	Obsolete
2	CLAMP S56/9 W1 ZINC 0/000.680.9109 (u. 1)	
3	INTAKE MANIFOLD ENDURO 2018 0/000.290.9116 (u. 1)	
4	GASKET BOX REED VALVES MANIFOLD ENDURO 2018 0/000.490.9114 (u. 1)	
5	TORN.ESP. DIN 6921 Hex.8 TX30 M6x25 Cal.10.9 GEOMET 0/000.460.9182 (u. 6)	
	SPECIAL BOLT DIN 6921 HEX.8 M6x25 GRADE 10.9 GEOMET 0/000.460.9121 (u. 6)	Obsolete
6	CRANKCASE REED VALVE GASKET 0/000.490.9120 (u. 1)	
7	REED VALVE SET ME27000GG-CAB-1 (u. 2)	

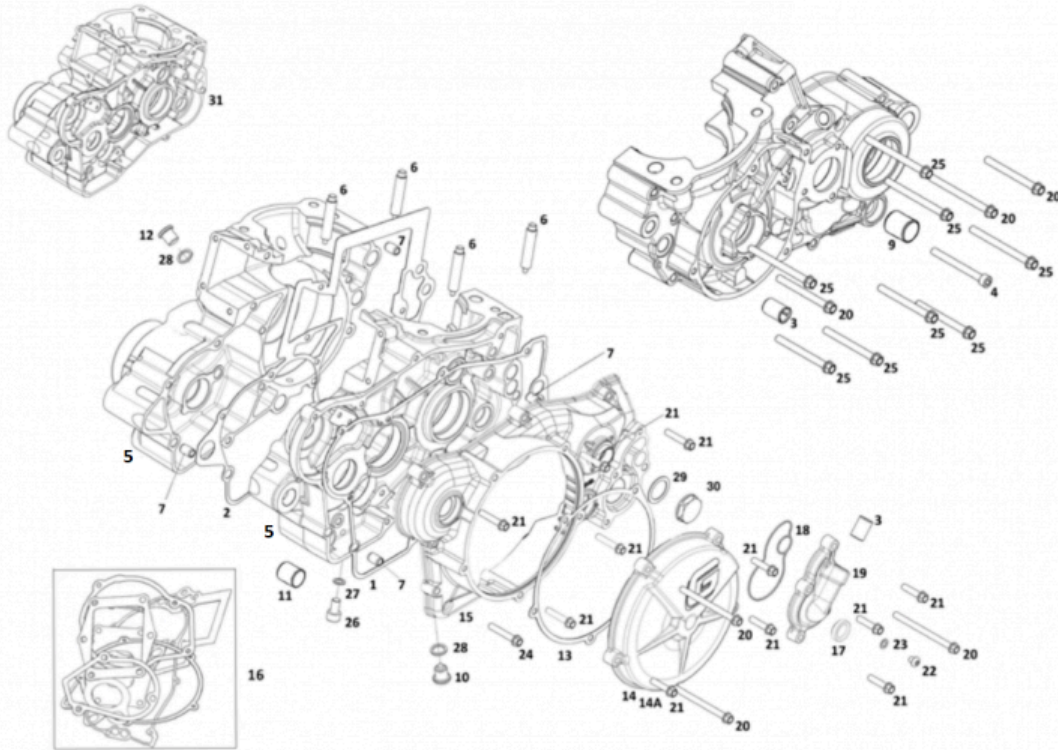
CHANGE SHAFT



1	SET PRIMARY AND SECONDARY FORKS ENDURO 2018 ME47000CT-CLJ-1 (u. 1)	
3	SHORT FORK AXIS 0/000.190.9107 (u. 1)	
4	LONG FORK AXLE 0/000.190.9106 (u. 1)	
5	DESMODROMIC EC-2005 0/005.090.9100 (u. 1)	
6	GEAR FIXING EC COMP. 0/005.560.9100 (u. 1)	
7	GEAR FIXING PLATE BUSHING 0/000.480.9122 (u. 1)	
8	GEAR FASTENING SPRING EC-2000 0/000.470.9108 (u. 1)	
9	FLAT WASHER 6.5X16X1.5 DIN 125 ZINC 0/000.440.9125 (u. 1)	
10	TORN.ESP. DIN 6921 Hex.8 TX30 M6x25 Cal.10.9 GEOMET 0/000.460.9182 (u. 1) SPECIAL BOLT DIN 6921 HEX.8 M6x25 GRADE 10.9 GEOMET 0/000.460.9121 (u. 1)	Obsolete
11	DESMODROMIC BEARING HK2512 =M03645000 0/000.960.9111 (u. 1)	
12	DESMODROMIC ROLLER BEARING HK3512=M03650000 0/000.960.9110 (u. 1)	
13	SEAL 12-22-7 AS-CC =M03821000 0/000.890.9107 (u. 1)	
14	CENTER SELECTOR SPRING SCREW 0/000.460.9110 (u. 2)	
15	SCORPION 250.TT SPRING ME25636039 (u. 1)	

16	SCORPION EC250-2002 ME250236036 (u. 1)	
17	SCORPION CENTERING BUSHING EC250-2002 ME250236041 (u. 1)	
18	SELECTOR SPRING ME25636035 (u. 1)	
19	GEAR SELECTOR SHAFT SET 0/005.010.9100 (u. 1)	
20	SHIFT PEDAL MR 2022 0/005.430.9104 (u. 1)	
21	SEEGERRING DIN 471 12 0/000.300.9104 (u. 1)	
22	BOLT 6x20 DIN 6921 GEOMET 10.9 0/000.460.9120 (u. 1)	Obsolete
	HEXAGONAL FLANGE SCREW DIN 6921 TX30 M6x20 GRADE 10.9 GEOMET 0/000.460.9181 (u. 1)	

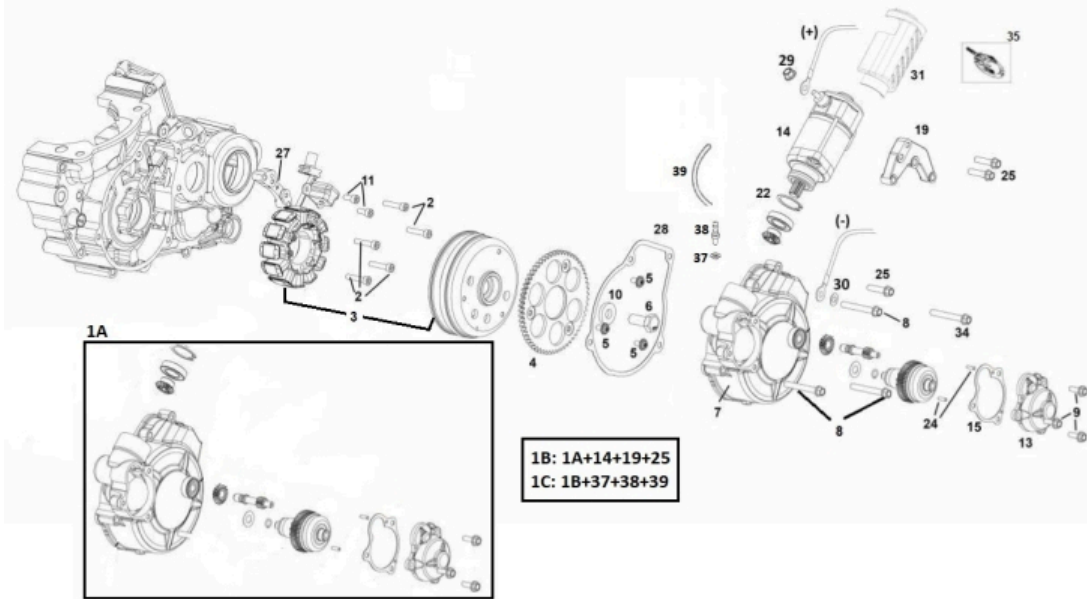
CARTER



1	CLUTCH COVER GASKET 0.6mm 0/000.490.9108 (u. 1)
2	GASKET CRANKCASE 2018 0/000.490.9118 (u. 1)
3	WATER INLET FITTING 0/000.480.9123 (u. 2)
4	ALLEN 6X60 DIN 912 ZINC 12.9 0/000.460.9150 (u. 1)
5	SET CRANKCASES ENDURO 300 2018 ME10000CT-CLJ-1 (u. 1) - 300 CC SET CRANKCASES ENDURO 200 2018 ME10000CT-CLP-1 (u. 1) - 200 CC
6	CYLINDER STUD 0/000.280.9100 (u. 4)
7	ENGINE CASE LOCATOR BUSHING 0/000.480.9119 (u. 4)
9	BRAKE PEDAL GLACIER 1215PD10 0/000.480.9117 (u. 1)
10	HEXAGONAL OIL DRAIN PLUG 0/000.410.9104 (u. 1)
11	GLACIER PEDAL DAP 1212PD 0/000.480.9105 (u. 1)
12	HEXAGONAL TITANIUM-COLORED OIL FILLER PLUG 0/000.410.9103 (u. 1)
13	DISCS COVER GASKET 2014 0/000.490.9104 (u. 1)
14	CLUTCH DISC COVER GRAY 0/000.350.9105 (u. 1)

	SIGHT GLASS OIL LEVEL EC400-4T 0/000.410.9106 (u. 1)	
	THREADED BUSHING CENTRIFUGAL PLUG 0/000.980.9131 (u. 1)	
15	KICKSTART PEDAL OIL SEAL 20X30X7 0/000.890.9105 (u. 1)	
	COVER CLUTCH GRAY RAL (9006) 0/000.350.9107 (u. 1)	
16	ENDURO ENGINE GASKET KIT 2018 ME94610CT-CLJ-1 (u. 1)	
17	SIGHT GLASS OIL LEVEL EC400-4T 0/000.410.9106 (u. 1)	
18	WATER PUMP COVER GASKET 2014 0/000.490.9115 (u. 1)	
19	WATER PUMP COVER 0/000.220.9124 (u. 1)	
20	HEXAGONAL SCREW DIN 6921 M6x75 THREAD 20 GRADE 10.9 GEO 0/000.460.9129 (u. 6)	
	TORN.ESP. DIN 6921 Hex.8 TX30 M6x25 Cal.10.9 GEOMET 0/000.460.9182 (u. 11)	
21	SPECIAL BOLT DIN 6921 HEX.8 M6x25 GRADE 10.9 GEOMET 0/000.460.9121 (u. 11)	Obsolete
22	SCREW SPECIAL 6X10+WASHER GEOMET 10.9 0/000.460.9133 (u. 1)	Obsolete
23	COPPER WASHER 6X10X1.5 WATER PUMP BOLT 0/000.440.9122 (u. 1)	
24	SPECIAL BOLT DIN 6921 HEX.8 M6X35 CAL.10.9 GEOMET 0/000.460.9124 (u. 1)	
25	HEX HEAD SCREW DIN 6921 M6x60 GRADE 10.9 GEOMET 0/000.460.9128 (u. 8)	
27	COPPER WASHER 8X12X1.5 DIN 125 A ISO 7089 0/000.440.9128 (u. 1)	
28	SPARK PLUG WASHER 12X18X2 0/000.440.9114 (u. 2)	
29	O-RING 20 x 1.5 NBR 70 0/000.490.9116 (u. 1)	
30	CAP ADJUSTMENT CENTRIFUGAL 0/000.410.9105 (u. 1)	
31	SET CRANKCASES ENDURO 300 2018 ME10000CT-CLJ-1 (u. 1) - 250cc / 300cc	
32	ENGINE CASE LOCATOR BUSHING 0/000.480.9119 (u. 2)	

FLYWHEEL - STARTER ENGINE

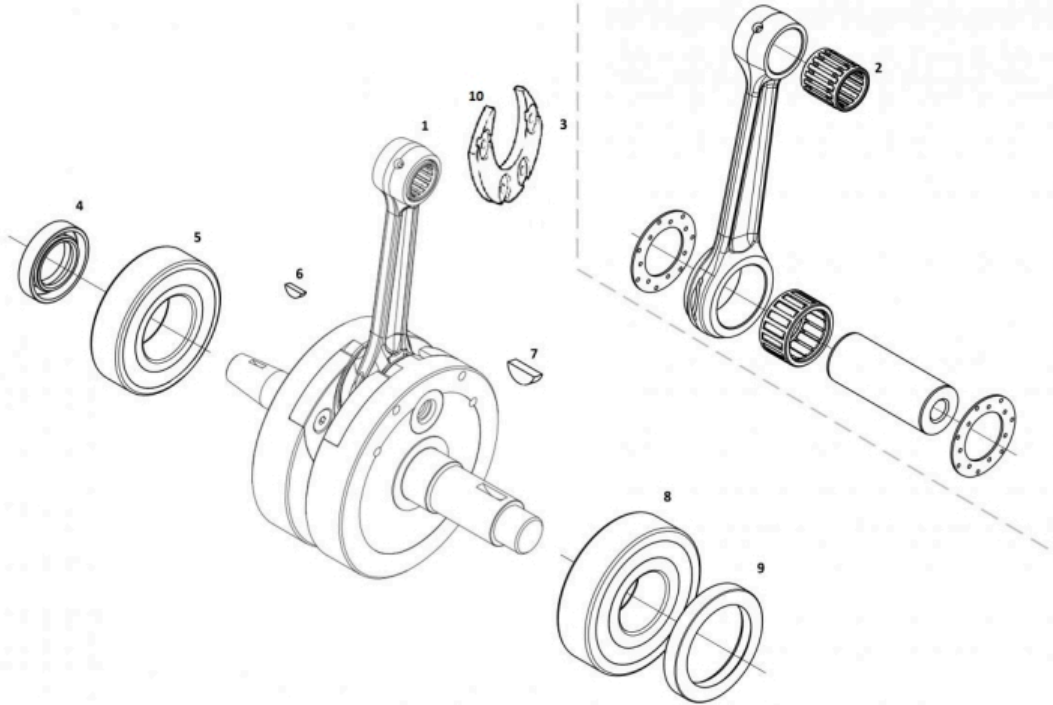


1A	STARTER COVER KIT + UPGRADED BENDIX 0/005.480.9103 (u. 1) - <i>WITHOUT STARTER ENGINE</i>
1B	ELECTRIC STARTER KIT MR 2022 0/005.480.9102 (u. 1) - <i>WITH STARTER ENGINE</i>
1C	ELECTRIC STARTER KIT MR 2022 + DEVAPORIZER 0/K05.480.9102 (u. 1) - <i>WITH STARTER ENGINE</i>
2	ALLEN BOLT 5X25 DIN 912 DRACOMET 8.8 0/000.460.9146 (u. 5)
3	SET MAGNETIC FLYWHEEL MR 2022 0/005.820.9104 (u. 1)
4	ELECTRIC START RING GEAR EC 2015 0/005.400.9102 (u. 1)
5	TORX BUTTON HEAD WASHER 5X8 ISO 7380-2 10.9 0/000.460.9154 (u. 3)
6	HEX HEAD SCREW DIN 6921 M10x25x125 GRADE 10.9 GEOMET 0/000.460.9112 (u. 1)
8	HEX HEAD SCREW DIN 6921 M6x40 THREAD 20 CLASS 10.9 GEO 0/000.460.9125 (u. 1)
9	BOLT + WASHER 5x15 DIN 6921 GEOMET 10.9 0/000.460.9115 (u. 3)
11	ALLEN 5x10 DIN 912 ZINC 12.9 0/000.460.9145 (u. 2)
13	COVER BENDIX EC 2015 EE80130GG-CBR-2 (u. 1)
14	STARTING MOTOR.EC 2015 PHI50mm 0/005.480.9100 (u. 1)
15	SEAL COVER BENDIX EC 2015 FOAMET 0.6 EE80135GG-CBR-1 (u. 1)
19	ELECTRIC START ENGINE MOUNT EC 2015 0/000.980.9111 (u. 1)
24	NEEDLE DIN5402-3 TYPE BF DIAM-3X9.8 FLAT EE80140GG-CBR-1 (u. 2)
25	SPECIAL BOLT DIN 6921 HEX.8 M6x25 GRADE 10.9 GEOMET 0/000.460.9121 (u. 3)
	TORN.ESP. DIN 6921 Hex.8 TX30 M6x25 Cal.10.9 GEOMET 0/000.460.9182 (u. 3)

Obsolete

27	ADAPTER PUSH BUTTON HIDRIA EC 2014 V2 0/000.980.9109 (u. 1)
28	GASKET FLYWHEEL COVER 0/000.490.9119 (u. 1)
29	NUT + WASHER M-6 SERRATED DIN 6923 ZINC 8 0/000.340.9116 (u. 1)
30	FLAT WASHER 6x12x1.5 DIN 125 ZINC 0/000.440.9124 (u. 1)
31	COVER ELECTRIC START ENDURO 2018 0/000.220.9119 (u. 1)
32	ALLEN 6X45 DIN 912 ZINC 12.9 0/000.460.9149 (u. 1)
33	ALLEN 6X40 DIN 912 ZINC 12.9 0/000.460.9148 (u. 1)
34	ORIGINAL TEXT: TORN.ESP. DIN 6921 HEX.8 TX30 M6x50 FIL.20 CAL.10.9 GEOMET 0/000.460.9186 (u. 1)
	HEAD SCREW 6x50 DIN 6921 GEOMET 10.9 0/000.460.9126 (u. 1)
35	STARTER MOTOR BRUSHES EE80010GG-CBR-1 (u. 1)
37	FIBER WASHER 6X10X1.5 0/000.440.9123 (u. 1)
38	CRANKCASE VENT NIPPLE D.3 0/000.630.9105 (u. 1)
39	COPOLAN-NBR-NVC TUBE Ø5 x Ø9 x 450 0/000.290.9126 (u. 1)

Obsolete

CRANKSHAFT


SET CRANKSHAFT ENDURO 2018
 0/005.380.9100 (u. 1) - 300 CC

1

CRANKSHAFT EC200-2014
 0/005.380.9102 (u. 1) - 200 CC

2

ROD RV 18X22X21.8 S CONNECTING ROD SMALL END BEARING
 ME25616035 (u. 1)

3

CONNECTING ROD ENDURO 250
 ME25612100 (u. 1)

4

LEFT SIDE CRANKSHAFT SEAL 20x35x6/6.5
 0/000.890.9103 (u. 1)

5

LEFT CRANKSHAFT BEARING 6206- TN9/C4 (OPEN)
 0/000.960.9115 (u. 1)

6

KEY 3x3.7 D.10 DIN 6888
 0/005.490.9102 (u. 1)

7

KEY DIN 6888 16 X 5 X 6.5
 0/005.490.9100 (u. 1)

8

RIGHT CRANKSHAFT BEARING 63/28-HN3/C3 GXN (OPEN)
 0/000.960.9116 (u. 1)

9

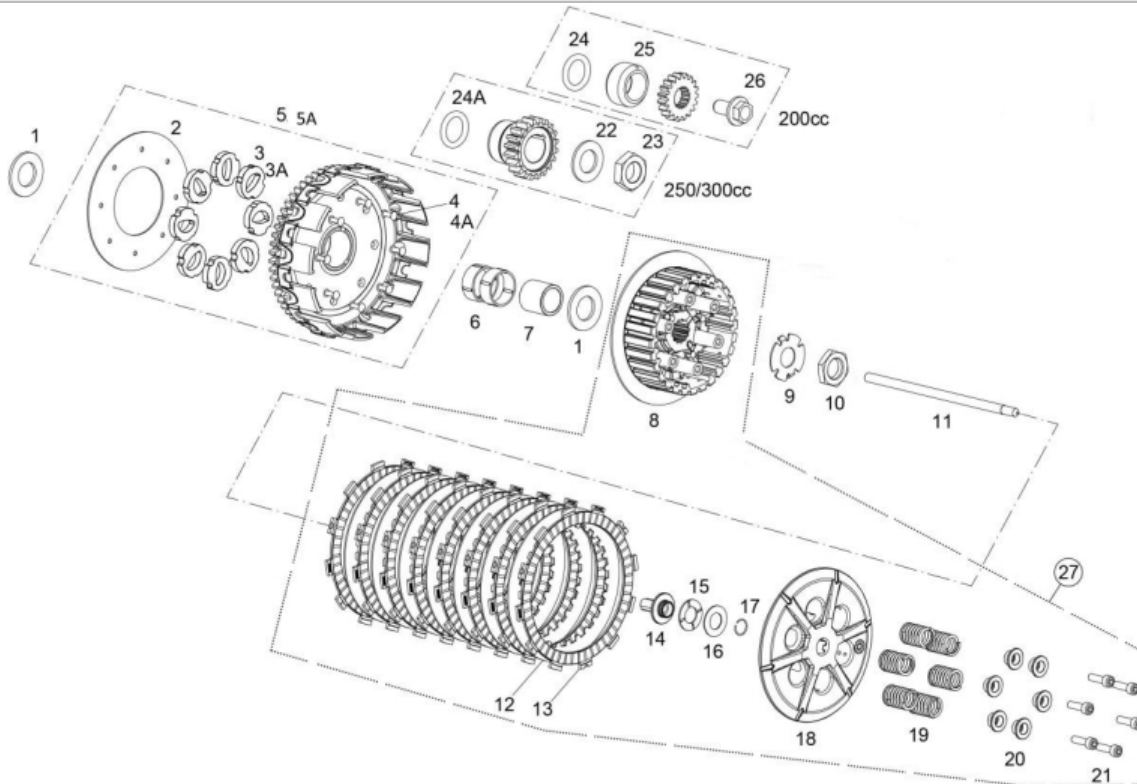
RIGHT CRANKSHAFT SEAL TB2J 38-52 7
 0/000.890.9102 (u. 1)

10

NYLON CRANKSHAFT COUNTERWEIGHT 200
 0/005.075.9100 (u. 1) - 200 cc

NYLON CRANKSHAFT COUNTERWEIGHT 250-300
 0/005.075.9101 (u. 1) - 250-300 cc

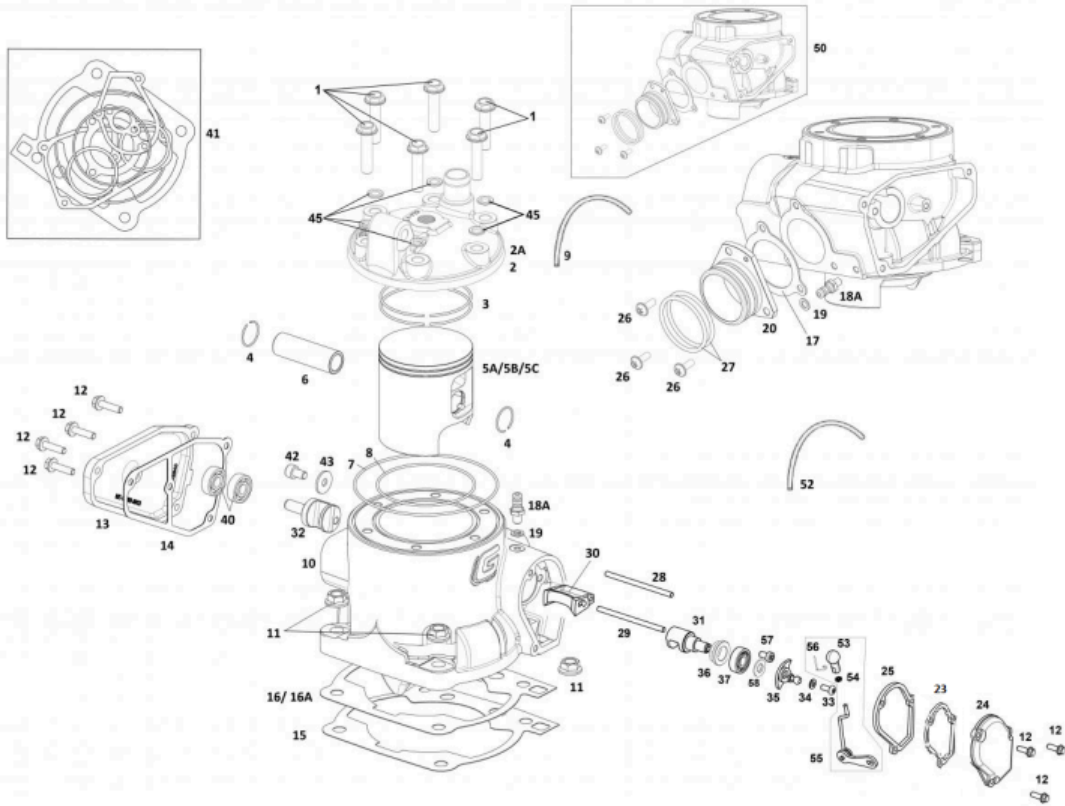
CLUTCH



1	CLUTCH BELL WASHER 22.1X42X2.8 0/000.440.9106 (u. 2)
2	CLUTCH BOSS WASHER ME20932009 (u. 1)
3	SILENTBLOCK RUBBER C4015/115 EMBR.3376 (8 UNITS) ME20932008B (u. 8)
3	SILENTBLOCK ME20932008 (u. 8) Obsolete
4	CLUTCH BELL RIVETS ME250132010 (u. 8)
5	SET SPROCKET-PINION CLUTCH ENDURO 250-300 2014 0/005.400.9104 (u. 1) - 250 / 300 CC
5	ENDURO 200 CLUTCH SPROCKET SET 0/005.400.9103 (u. 1) - 200 CC
6	BEARING SET K28X33X13FV-M1 M3 0/000.980.9113 (u. 2)
7	CLUTCH BELL HOUSING 0/000.480.9121 (u. 1)
8	CLUTCH HUB ENDURO 2018 ME22005GG-CLJ-1 (u. 1)
9	CLUTCH LOCK WASHER ENDURO 0/000.440.9104 (u. 1)
10	CLUTCH HUB NUT 0/000.340.9107 (u. 1)
11	CLUTCH ROD MR 0/000.190.9105 (u. 1)
12	IRON CLUTCH DISCS ME22105GG-CLJ-1 (u. 7)
13	COVERED CLUTCH DISCS ME22100GG-CLJ-1 (u. 8) - BEST QUALITY
13	COVERED CLUTCH DISCS ME25632007 (u. 8)

14	CLUTCH PRESSURE PLATE BUSHING 0/000.480.9120 (u. 1)
15	NEEDLE CAGE AXK 1528 0/000.960.9109 (u. 1)
16	NEEDLE CAGE PLATE AS 15 0/000.440.9107 (u. 1)
17	DIN 7993 RING Ø14x1 0/000.300.9102 (u. 1)
18	ENDURO PRESSURE PLATE 2018 ME23000GG-CLJ-1 (u. 1)
19	SPRING CLUTCH EC 2018 ME22025GG-CLJ-1 (u. 6)
20	SPRING CLUTCH KIT EC-2018 ME22020GG-CLJ-1 (u. 6)
21	ALLEN BOLT 6X25 TA.EMB, CART, SUSP.12.9 T0306025 (u. 6)
22	POLISHED WASHER DIN 125 D-20 ZINC 40-42HRC 0/000.440.9108 (u. 1)
23	CRANKSHAFT PINION LOCKING NUT EC-2000 0/000.340.9106 (u. 1)
24	PRIMARY CLUTCH PINION O-RING (Ø23*5 NBR) 0/000.490.9106 (u. 1)
25	CRANKSHAFT BUSHING 25X38X20 0/000.480.9127 (u. 1)
26	SPECIAL SCREW 12X25X1.25 THREAD 20 12.9 GEOMET 0/000.460.9114 (u. 1)
27	SET CLUTCH HUB ENDURO 2018 0/005.350.9100 (u. 1)

CYLINDER



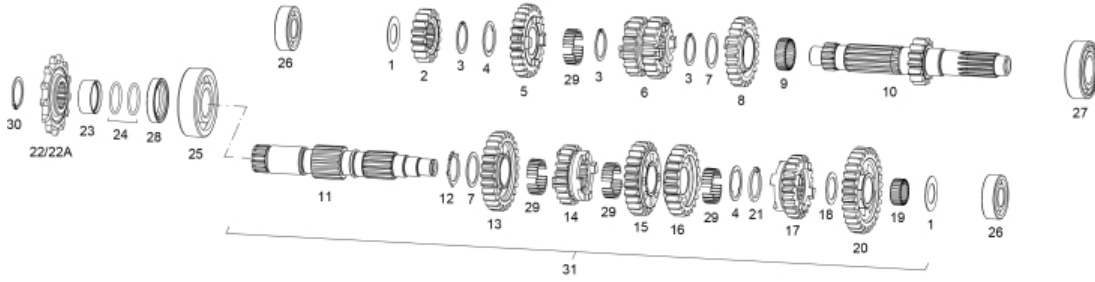
	TORN.ESP. DIN 6921 Hex.10 TX40 M8x35 Fil.25 Cal.10.9 GEOMET 0/000.460.9190 (u. 6)
1	HEXAGON HEAD SCREW DIN 6921 M8x35 THREAD 25 GRADE 10.9 GE 0/000.460.9130 (u. 6)
	CYLINDER HEAD ENDURO 200 MY2018 0/005.770.9102 (u. 1) - 200 CC
2	CYLINDER HEAD ENDURO 250 2018 0/005.770.9101 (u. 1) - 250 CC
	CYLINDER HEAD EC/XC 300 0/005.770.9100 (u. 1) - 300 CC
3	PISTON RINGS SET TT 250 ME25616040 (u. 1) - 250cc
	PISTON RINGS SET TT-300 2835CD ME30916040 (u. 1) - 300cc
4	PISTON PIN CLIP SET ME25616126 (u. 2)
5A	PISTON TT 300 EC-2004 ME300416020 (u. 1) - 300cc
	PISTON TT 250 A ME25616020R (u. 1) - 250cc
5B	B TYPE PISTON TT 300 71.95 ME300416121 (u. 1) - 300cc
	B TYPE PISTON 250 ENDURO ME25616121R (u. 1) - 250cc
5C	66.36MM PISTON ENDURO C 250 ME25616122R (u. 1) - 250cc
	PISTON 300CC C ME30916122R (u. 1) - 300cc
6	PISTON PIN TT 250 ME25616125 (u. 1)

7	OUTER CYLINDER HEAD O-RING 107.67x1.78 0/000.490.9109 (u. 1)
8	INNER CYLINDER HEAD O-RING 75.92X1.78 VITON 0/000.490.9111 (u. 1) - 300 CC
	INNER CYLINDER HEAD O-RING VITON 72.7x1.78 0/000.490.9110 (u. 1) - 200 CC
9	CRANKCASE BREATHER TUBE (55cm) ME25610022 (u. 1)
9A	SET BLOW BY VAPOR TUBE ENDURO 2018 0/000.290.9106 (u. 1)
10	COMPLETE CYLINDER KIT ENDURO 300 2018 0/R05.190.9100 (u. 1) - 300 CC
	COMPLETE CYLINDER KIT ENDURO 200 2019 0/R05.190.9102 (u. 1) - 200 CC
	COMPLETE CYLINDER KIT ENDURO 250 2018 0/R05.190.9101 (u. 1) - 250 CC
11	NUT DIN 6923 ZINC 8.8 10/150 C13 0/000.340.9105 (u. 4)
12	BOLT + WASHER 5x15 DIN 6921 GEOMET 10.9 0/000.460.9115 (u. 7)
13	LEFT VALVE COVER EC 2013 0/000.350.9104 (u. 1)
14	GASKET LEFT VALVE COVER EC 2013 0/000.490.9113 (u. 1)
15	CYLINDER GASKET 0.15 ME25644010 (u. 1)
16	CYLINDER GASKET 0.5 METALLIC WITH SILICONE ENDURO 2018 0/000.490.9112 (u. 1)
16A	CYLINDER GASKET 0.3 ME25644009 (u. 1)
17	EXHAUST GASKET ME25644012 (u. 1)
18A	CRANKCASE VENT NIPPLE D.3 0/000.630.9105 (u. 2)
19	FIBER WASHER 6X10X1.5 0/000.440.9123 (u. 2)
20	EXHAUST PIPE 2005 ME250516019 (u. 1)
23	GASKET RH VALVE COVER MR 0/000.490.9124 (u. 2)
24	RIGHT VALVE COVER EC300 2014 0/000.350.9108 (u. 1)
25	SEPARATOR RH VALVE COVER MR 0/000.480.9133 (u. 1)
26	ULS TORX SCREW 6X14 DIN 7380-1 ZINC-PLATED 10.9 T0566014 (u. 3)
27	Exhaust Oring Pampera BE250526006 (u. 2)
	(PACK OF 5 UNITS) EXHAUST PIPE O-RING 44X3 FP (VITON) BE250526006-B (u. 2)
28	LONG EXHAUST VALVE SHAFT 93MM ME25616027 (u. 1)
29	SHORT EXHAUST VALVE AXIS 83MM ME25616017 (u. 1)
30	CENTRAL VALVE ENDURO 250 2018 ME72005GG-CLK-1 (u. 1)

Obsolete

31	RIGHT VALVE ENDURO 250 2018 ME72000GG-CLK-1 (u. 1)	
32	LEFT VALVE ENDURO 250 2018 ME72010GG-CLK-1 (u. 1)	
33	SCREW ISO 7380 Allen M5x10 Cal.10.9 WHITE ZINC PLATED 0/000.460.2000 (u. 1)	
34	WASHER 5X12X1.5 DIN 125A ZINC 0/000.440.9121 (u. 1)	
35	SET LEVER VALVE EXHAUST EC 2015 0/000.640.9103 (u. 1)	
36	EXHAUST VALVE BEARING SPACER ME25616036 (u. 1)	
37	WATER PUMP BEARING 6000 C3Z=M03313001 0/000.960.9107 (u. 1)	
40	608Z C3 BEARING 0/000.960.9108 (u. 2)	
41	CYLINDER HEAD GASKET KIT 300CC ME94620CT-CAB-1 (u. 1) - 300cc	
	GASKET SET, CYLINDER AND HEAD, 250cc ME94620CT-BZX-1 (u. 1)	
42	ALLEN 6X10 8.8 BOB. T0306010 (u. 2)	Obsolete
	ALLEN SCREW 912 8.8 ZINC 6X10 0/000.460.2009 (u. 2)	
43	WASHER 6X18X1.5 DIN 9021 ZINC 0/000.440.9126 (u. 1)	
44	FLAT WASHER 6x12x1.5 DIN 125 ZINC 0/000.440.9124 (u. 1)	
45	COPPER WASHER 8.5x16x1.5 DIN 125 A ISO 7090 0/000.440.9130 (u. 6)	
50	COMPLETE CYLINDER KIT ENDURO 300 2018 0/R05.190.9100 (u. 1)	
	COMPLETE CYLINDER KIT ENDURO 250 2018 0/R05.190.9101 (u. 1)	
51	COPPER WASHER 6X10X1.5 WATER PUMP BOLT 0/000.440.9122 (u. 2)	
52	VENT TUBE VALVE S EC-2009 BE733001209 (u. 1)	
52a	SET BLOW BY VAPOR TUBE ENDURO 2018 0/000.290.9106 (u. 1)	
53	SET EXHAUST VALVE PUSHROD COMPLETE EC 2015 0/000.640.9104 (u. 1)	
54	TUERCA M 3.5X0.6 T2503006 (u. 1)	Obsolete
55	SET EXHAUST VALVE PUSHROD COMPLETE EC 2015 0/000.640.9104 (u. 1)	
56	SAFETY CLIP BALL-JOINT 0/000.840.9103 (u. 1)	
58	SPACER BUSHING EXHAUST VALVE BEARING 0/000.480.9124 (u. 1)	

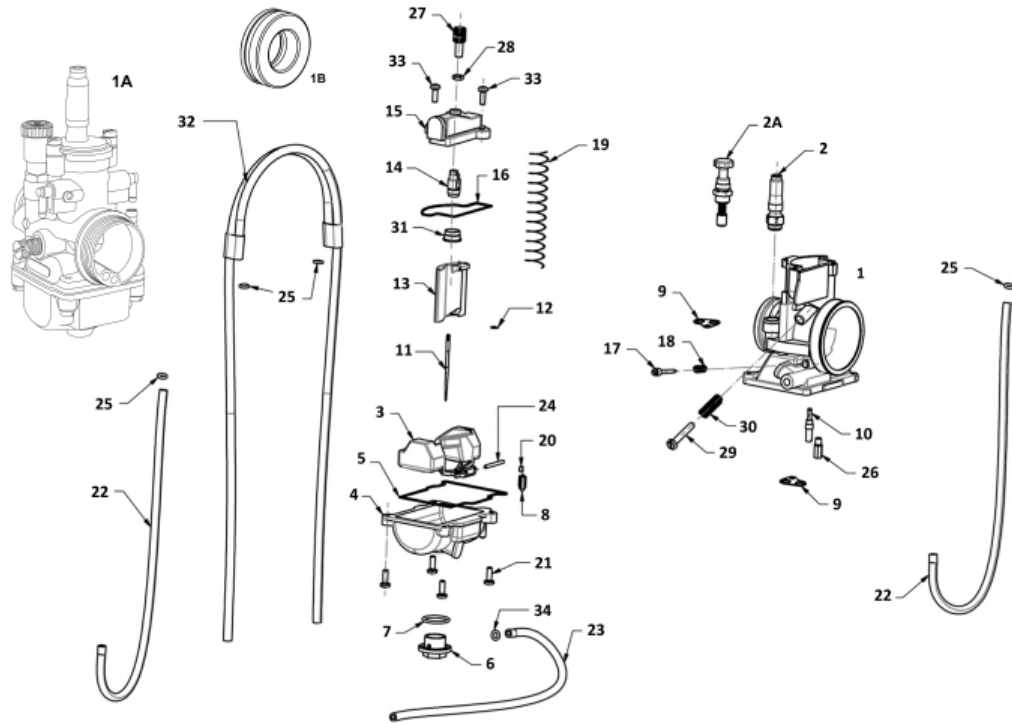
CHANGE ASSEMBLY



1	SHIFT WASHER 18X31.5X0.7 ME25636014 (u. 2)
2	PRIMARY II PINION Z-16 ME25636071 (u. 1)
3	CIRCLIP DIN 471 D.25 0/000.300.9107 (u. 3)
4	31.5X(25X22)X1 GROOVING WASHER ME25636091 (u. 2)
5	PRIMARY VI PINION Z-24 ME25636074 (u. 1)
6	PRIMARY III AND IV PINION ME25636072 (u. 1)
7	25.2X31.5X1 GEAR WASHER ME25636017 (u. 2)
8	PRIMARY V PINION Z-23 ME25636073 (u. 1)
9	NEEDLE BEARING K25-29-10 0/000.960.9104 (u. 1)
10	PRIMARY SHAFT EC 250-2002 ME250236070 (u. 1)
11	SECONDARY SHAFT EC 08 ME410002508 (u. 1)
12	DIN 983 CIRCLIP D.25 =25049255 ME25636095 (u. 1)
13	SECONDARY PINION II 7-26 ME42211GG-CSK-1 (u. 1)
14	SECONDARY VI PINION Z-19 ME42215GG-CSK-1 (u. 1)
15	SECONDARY III PINION Z-24 ME42212GG-CSK-1 (u. 1)
16	SECONDARY IV PINION Z-22 ME42213GG-CSK-1 (u. 1)
17	SECONDARY V PINION Z-21 ME42214GG-CSK-1 (u. 1)
18	20.8X29X1 GEAR WASHER ME25636016 (u. 1)
19	K20X24X10 NEEDLE BEARING 0/000.960.9114 (u. 1)

20	SECONDARY I PINION Z-29 ME42210GG-CSK-1 (u. 1)
21	CIRCLIP D.25 DIN 471 REDUCED D.2 SE03025200009 (u. 1)
22	13T OUTPUT PINION 0/005.400.9112 (u. 1)
22A	OUTPUT SPROCKET TG421X12T 0/005.400.9113 (u. 1)
22B	OUTPUT SPROCKET TG421X11T 0/005.400.9114 (u. 1)
23	OUTPUT SHAFT SEAL BUSHING 0/000.260.9100 (u. 1)
24	SHAFT O-RING 25x2 NBR 0/000.490.9107 (u. 2)
25	SHIFT BEARING 6305 C3 0/000.960.9113 (u. 1)
26	SHIFT BEARING 6203C3 0/000.960.9112 (u. 2)
27	SHIFT BEARING 6205-2RSH/C3 0/000.960.9106 (u. 1)
28	COUNTERSHAFT SEAL TC 30x40x7 DOUBLE LIP 0/000.890.9106 (u. 1)
29	KD22X25X9.8 NEEDLE CAGE GEARBOX GROUP 0/005.150.9101 (u. 4)
30	CIRCLIP DIN 471 D.25 0/000.300.9107 (u. 1)
31	GEAR SHIFT SET 0/005.400.9107 (u. 1)

CARBURETOR



KEIHIN PWK 38 CARBURETTOR
0/005.155.9105 (u. 1) - SIX DAYS SPAIN 300

1 KEIHIN CARBURETOR PWKS DIAM. 36 EC
0/005.155.9101 (u. 1) - 200 CC

KEIHIN PWK 38 CARBURETTOR STARTER CONTROL 10FK-A73Z-0000
0/005.155.9100 (u. 1) - 300 CC

1A CARBURETOR PHBG 21 DS ENDURO 73/33 SLIDE 40
0/005.155.9103 (u. 1)

1B ADAPTOR CARBURETOR DELL ORTO ENDURO 2018
0/005.150.9102 (u. 1)

2 CHOKE KNOB
ME25000173012 (u. 1)

2A STARTER CONTROL 1166-818-2101
ME25690011 (u. 1)

3 FLOAT BOBBER 1052-856-2101
ME25000183012 (u. 1)

4 FLOAT BOWL 1050-898-2102
ME25000193012 (u. 1)

5 SEAL FLOAT BOWL 1051-KZ40-0001
ME25000203012 (u. 1)

6 DRAIN PAN COVER
ME25690015 (u. 1)

8 FLOAT NEEDLE 1062-814-2103
ME25000213012 (u. 1)

10 SLOW JET Ø40 (PLN3721040)
0/005.991.9107 (u. 1)

SLOW JET 42 N424-21042
0/005.991.9105 (u. 1)

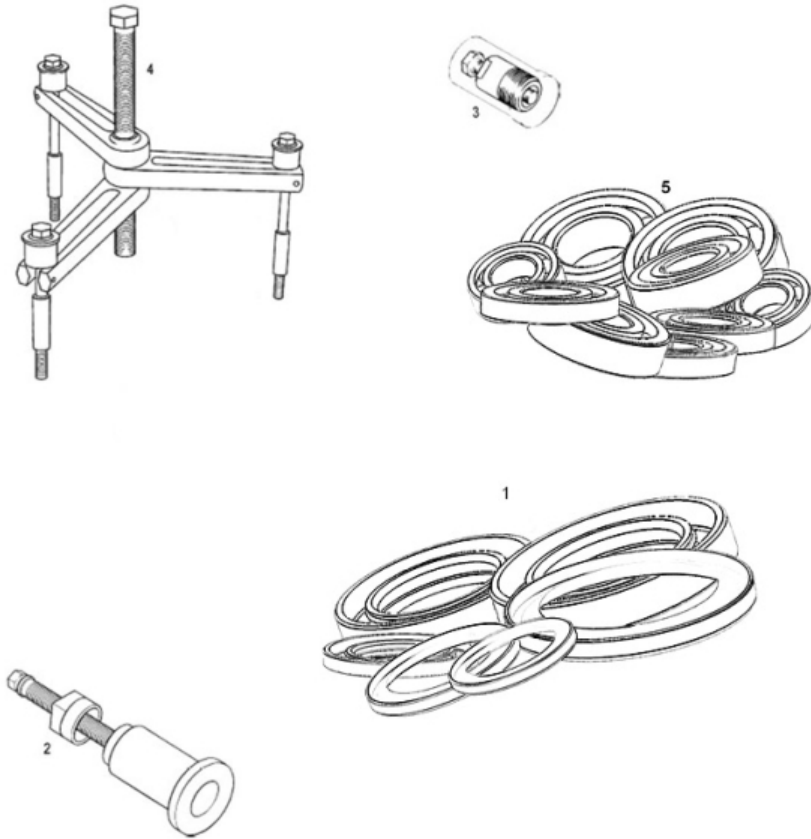
10A IDLE JET 45
0/005.991.9103 (u. 1)

10B SLOW JET 42 N424-21042
0/005.991.9105 (u. 1)

11	KEIHIN N1EF NEEDLE 0/005.150.9100 (u. 1)	
11A	NEEDLE KEIHIN N1EE (N427-1EE00) ME250290427 (u. 1)	
11B	NEEDLE KEIHIN N1EG (N427-1EG00) ME250290428 (u. 1)	
11C	NEEDLE NOZH N427-OZH00 ME120690435 (u. 1)	
12	NEEDLE CLIP 16115-169-0040 ME25690021 (u. 1)	
13	GATE N°7 N502-66F00 0/005.150.9103 (u. 1)	
14	NEEDLE-CABLE HOLDER 1101-804-2001 ME25690023 (u. 1)	
15	COVER 1030-A92A-0000 ME25000243012 (u. 1)	
16	O-RING SEAL COVER 1202-882-6000 ME25000253012 (u. 1)	
17	ADJUSTMENT SCREW ME25000263012 (u. 1)	
18	SPRING AIR ADJUSTMENT SCREW 1300-416H-9900 ME25000273012 (u. 1)	
19	SPRING GATE 1290-A53-2000 ME25000283012 (u. 1)	
20	FLOAT LEVEL CLIP 0405-019-1000 ME25690027 (u. 1)	
21	BOLT.BUCKET 93500-04014-1H ME25000293012 (u. 4)	
22	VENT TUBE 0803-868-0000 ME25000303012 (u. 2)	
23	VENT TUBE-2 0803-869-0000 ME25000313012 (u. 1)	
24	FLOATING AXLE W9525-25250 ME25690033 (u. 1)	
25	CLIP VENT TUBE W9535-35000 ME25690034 (u. 4)	
26	MAIN JET Ø170 (KEA170) 0/005.991.9106 (u. 1)	
	MAIN JET #175 (99101-357-1750) 0/005.991.9104 (u. 1)	
27	CABLE TENSIONER W9581-59250 ME25000323012 (u. 1)	
28	ADJUSTING NUT CABLE 1793-130H-9900 ME25000333012 (u. 1)	
29	IDLE ADJUSTING BOLT ME25690038 (u. 1)	
30	ADJUSTING BOLT SPRING 1290-963-2000 ME25690039 (u. 1)	
31	SPRING BUSHING SET 1118-929-7000 ME25690040 (u. 1)	
32	TUBE VENTILACIÒN 0803-862-0100 ME25000343012 (u. 1)	Obsolete
33	GATE COVER SCREW ME25000353012 (u. 2)	
	TORNILLO DIN 912 Allen M4x10 Cal.A2 INOX 0/000.460.9223 (u. 2)	

34	VENT TUBE CLIP-2 W9535-25000 ME25000363012 (u. 1)
35	STOP THROTTLE CABLE ME250690010 (u. 1) Obsolete

ENGINE TOOLS



1	SET SEALS EC-250/300 2010 ME906002510 (u. 1)	
2	EXTRACTOR COJINETE CIGUEÑAL ME25950000 (u. 1)	Obsolete
3	FLYWHEEL PULLER TRIAL 2002 MT280234045 (u. 1)	
4	EXTRACTOR CARTER ME25950005 (u. 1)	Obsolete
5	ENGINE BEARING KIT EC 250 300 2018 ME90500CT-CLJ-1 (u. 1)	